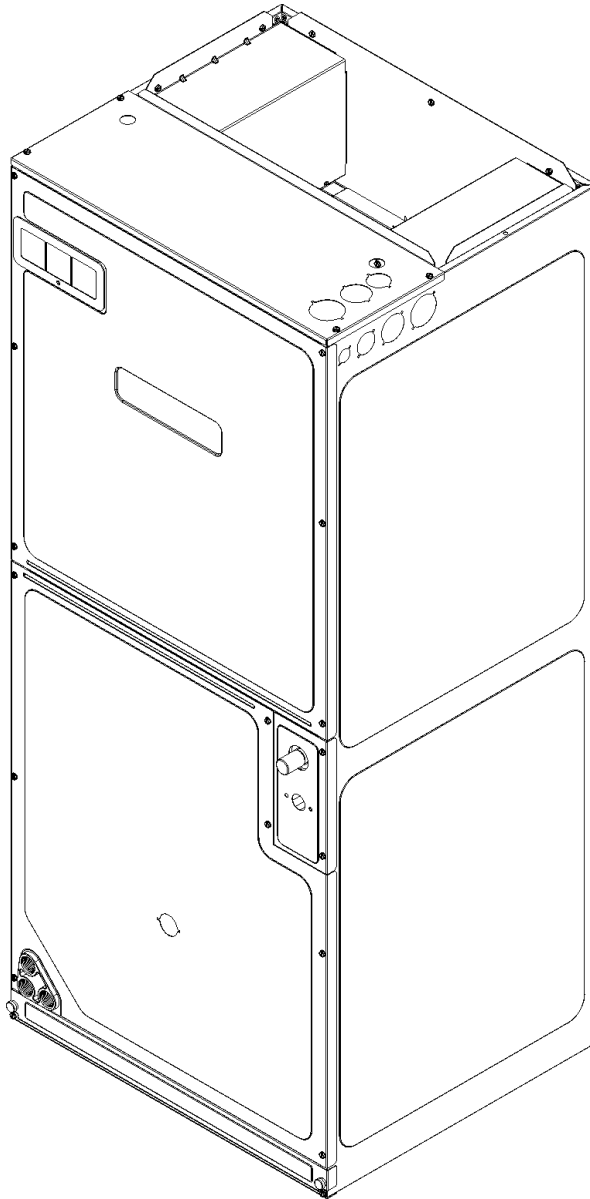


REPAIR PARTS

ARUF Air Handler

ARUF18B14AA
ARUF18B14AB
ARUF24B14AA
ARUF24B14AB
ARUF24B14BA
ARUF24B14BB
ARUF24B14CA
ARUF30B14AA
ARUF30B14AB
ARUF30B14AC
ARUF30C14BA
ARUF30C14BB
ARUF36C14AA
ARUF36C14BA
ARUF36C14BB
ARUF36C14BC
ARUF42C14AA
ARUF42C14AB
ARUF42C14AC
ARUF42C14AD
ARUF48D14AA
ARUF48D14AB
ARUF48D14AC
ARUF60D14AA
ARUF60D14AB
ARUF60D14AC



This manual is to be used by qualified technicians only.

This manual replaces RP-702E.

© 2012-2014 Goodman Manufacturing Company, L.P. ♦ 5151 San Felipe, Suite 500 ♦ Houston, TX 77056

Important Information

Index

Functional Parts List	3
Illustration and Parts	4 - 9

Views shown are for parts illustrations only, not servicing procedures

Text Codes:

AR - As Required

NA - Not Available

NS - Not Shown

00000000 - See Note

QTY - Quantity Example (QTY 3) (If Quantity not shown, Quantity = 1)

M - Model Example (M1) (If M Code not shown, then part is used on all Models)

Expanded Model Nomenclature:

Example M1 - Model#1 M2 - Model#2 M3 - Model#3

Goodman Manufacturing Company, L.P. is not responsible for personal injury or property damage resulting from improper service. Review all service information before beginning repairs.

Warranty service must be performed by an authorized technician, using authorized factory parts. If service is required after the warranty expires, Goodman Manufacturing Company, L.P. also recommends contacting an authorized technician and using authorized factory parts.

Goodman Manufacturing Company, L.P. reserves the right to discontinue, or change at any time, specifications or designs without notice or without incurring obligations.

For assistance within the U.S.A. contact:
Consumer Affairs Department
Goodman Manufacturing Company, L.P.
7401 Security Way
Houston, Texas 77040
877-254-4729-Telephone
713-863-2382-Facsimile

For assistance outside the U.S.A. contact:
International Division
Goodman Manufacturing Company, L.P.
7401 Security Way
Houston, Texas 77040
713-861-2500-Telephone
713-863-2382-Facsimile

Functional Parts

Part

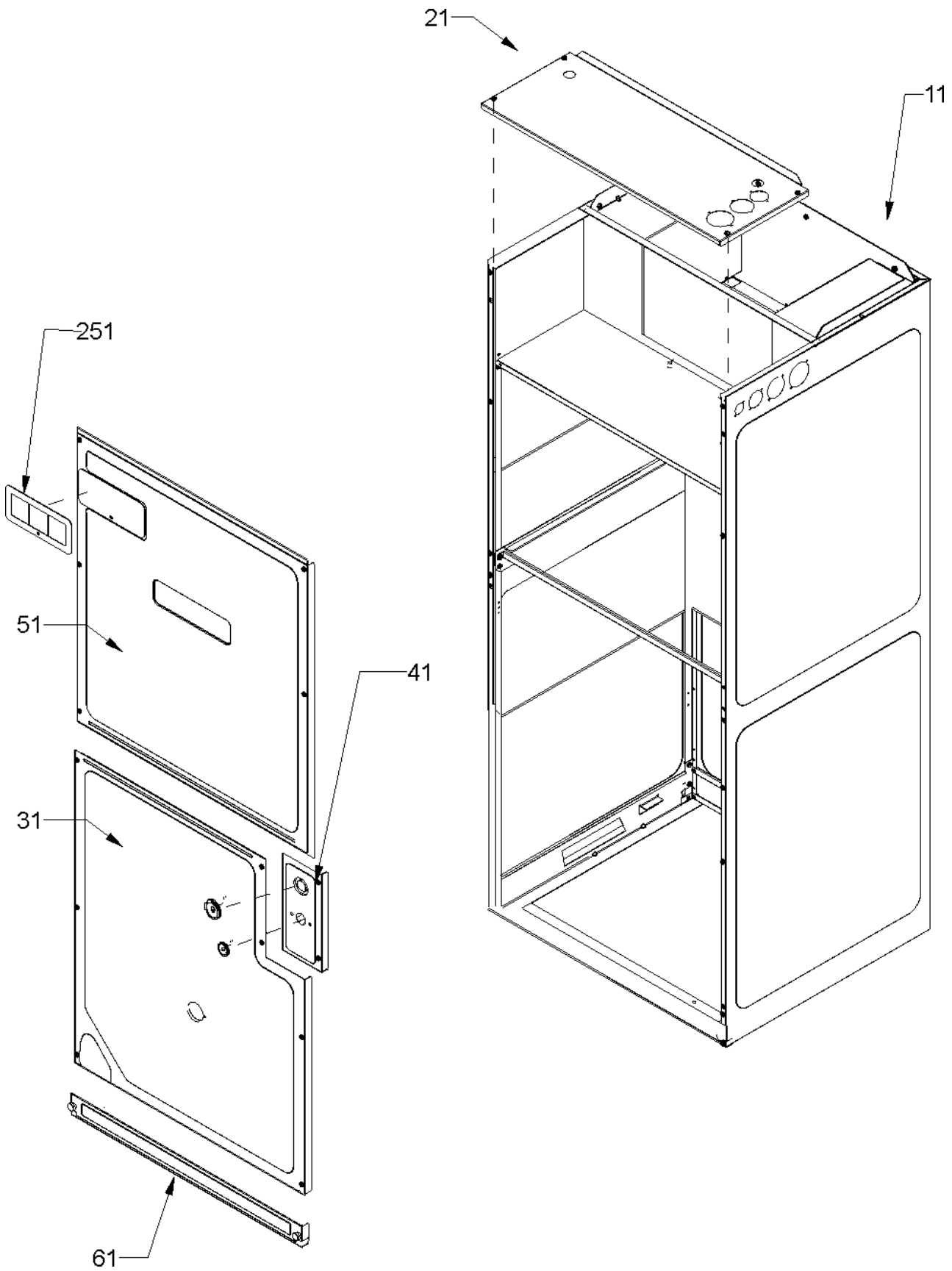
No: Description:

11091204	BLOWER MOTOR 1/2 HP, 3 SP, 8 PL (M21, M22, M23)
0131M00005P	BLOWER MOTOR 1/3 HP, 3 SP, 6 PL (M1, M2, M3, M4, M5, M6, M7, M8, M9, M10)
11091203	BLOWER MOTOR 1/3 HP, 3 SP, 6 PL (M11, M12, M13, M14, M15, M16, M17, M18, M19, M20)
0131M00297	BLOWER MOTOR, 3/4 HP, 3 SP (M24, M25, M26)
D6723311	BLOWER WHEEL (M24, M25, M26)
D6723306	BLOWER WHEEL (M18, M19, M20, M21, M22, M23)
B1368058	BLOWER WHEEL 10 X 8 (M11, M12, M13, M14, M15, M16, M17)
0150M00000	BLOWER WHEEL 9 X 6 (M1, M2, M3, M4, M5, M6, M7, M8, M9, M10)
CAP100000370VAP	CAP, 10 MFD/370V/OVAL (M1, M2, M3, M4, M5, M6, M7, M8, M9, M10, M11, M12, M13, M14, M15, M16, M17, M18, M19, M20)
CAP150000370VAP	CAP, 15 MFD/370V/OVAL (M21, M22, M23)
CAP250000370RPP	CAP, 25 MFD/370V/ RD (M24, M25, M26)
PCBFM103	PCB, TIME DELAY, EBTDR
0130M00138	TRANSFORMER, 208/230, 24V

Expanded Model Nomenclature

- | |
|-------------------|
| M1 - ARUF18B14AA |
| M2 - ARUF18B14AB |
| M3 - ARUF24B14AA |
| M4 - ARUF24B14AB |
| M5 - ARUF24B14BA |
| M6 - ARUF24B14BB |
| M7 - ARUF24B14CA |
| M8 - ARUF30B14AA |
| M9 - ARUF30B14AB |
| M10 - ARUF30B14AC |
| M11 - ARUF30C14BA |
| M12 - ARUF30C14BB |
| M13 - ARUF36C14AA |
| M14 - ARUF36C14BA |
| M15 - ARUF36C14BB |
| M16 - ARUF36C14BC |
| M17 - ARUF42C14AA |
| M18 - ARUF42C14AB |
| M19 - ARUF42C14AC |
| M20 - ARUF42C14AD |
| M21 - ARUF48D14AA |
| M22 - ARUF48D14AB |
| M23 - ARUF48D14AC |
| M24 - ARUF60D14AA |
| M25 - ARUF60D14AB |
| M26 - ARUF60D14AC |

Cabinet Assy



Cabinet Assy

Ref. Part No:	No:	Description:	Ref. Part No:	No:	Description:
<i>Image 1:</i>			Expanded Model Nomenclature		
11	0270A00655	Wrapper Assy, Unpainted (M1, M2, M3, M4, M5, M6, M7, M8, M9, M10)	M1 - ARUF18B14AA		
11	0270A00689	Wrapper Assy, Unpainted (M11, M12, M13, M14, M15, M16, M17, M18, M19, M20)	M2 - ARUF18B14AB		
11	0270A00690	Wrapper Assy, Unpainted (M21, M22, M23, M24, M25, M26)	M3 - ARUF24B14AA		
21	0121A00252PDG	Plate, Upper Tie, Ptd (M1, M2, M3, M4, M5, M6, M7, M8, M9, M10)	M4 - ARUF24B14AB		
21	0121A00253PDG	Plate, Upper Tie, Ptd (M11, M12, M13, M14, M15, M16, M17, M18, M19, M20)	M5 - ARUF24B14BA		
21	0121A00254PDG	Plate, Upper Tie, Ptd (M21, M22, M23, M24, M25, M26)	M6 - ARUF24B14BB		
31	0121A00248PDG	Panel, Lower Access, Ptd (M1, M2, M3, M4, M5, M6, M7, M8, M9, M10)	M7 - ARUF24B14CA		
31	0121A00249PDG	Panel, Lower Access, Ptd (M11, M12, M13, M14, M15, M16, M17, M18, M19, M20)	M8 - ARUF30B14AA		
31	0121A00250PDG	Panel, Lower Access, Ptd (M21, M22, M23, M24, M25, M26)	M9 - ARUF30B14AB		
41	0121A00251PDG	Panel, Refrigerant Tubing, Ptd	M10 - ARUF30B14AC		
51	0121A00178PDG	Panel, Upper Access, Ptd (M21, M22, M23, M24, M25, M26)	M11 - ARUF30C14BA		
51	0121A00209PDG	Panel, Upper Access, Ptd (M11, M12, M13, M14, M15, M16, M17, M18, M19, M20)	M12 - ARUF30C14BB		
51	0121A00210PDG	Panel, Upper Access, Ptd (M1, M2, M3, M4, M5, M6, M7, M8, M9, M10)	M13 - ARUF36C14AA		
61	0121A00242PDG	Panel, Filter Access, Ptd (M1, M2, M3, M4, M5, M6, M7, M8, M9, M10)	M14 - ARUF36C14BA		
61	0121A00243PDG	Panel, Filter Access, Ptd (M11, M12, M13, M14, M15, M16, M17, M18, M19, M20)	M15 - ARUF36C14BB		
61	0121A00244PDG	Panel, Filter Access, Ptd (M21, M22, M23, M24, M25, M26)	M16 - ARUF36C14BC		
251	0161A00034	PLASTIC BREAKER INSERT	M17 - ARUF42C14AA		
NS	BT1369063	90 DEGREE STUB	M18 - ARUF42C14AB		
NS	B1392630	GROMMET	M19 - ARUF42C14AC		
NS	0163A00023	THUMB SCREW (QTY 2)	M20 - ARUF42C14AD		
			M21 - ARUF48D14AA		
			M22 - ARUF48D14AB		
			M23 - ARUF48D14AC		
			M24 - ARUF60D14AA		
			M25 - ARUF60D14AB		
			M26 - ARUF60D14AC		

Control Panel / Coil Assy

IMAGE 1

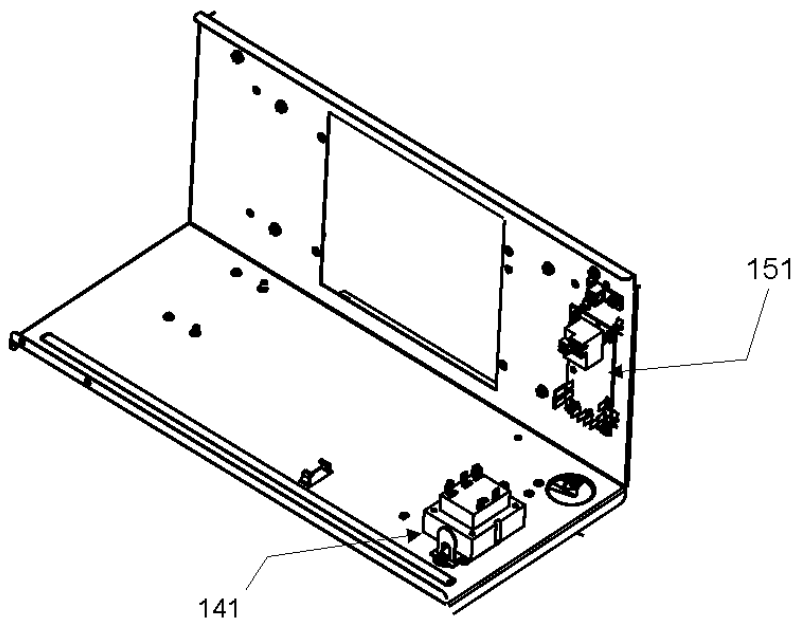
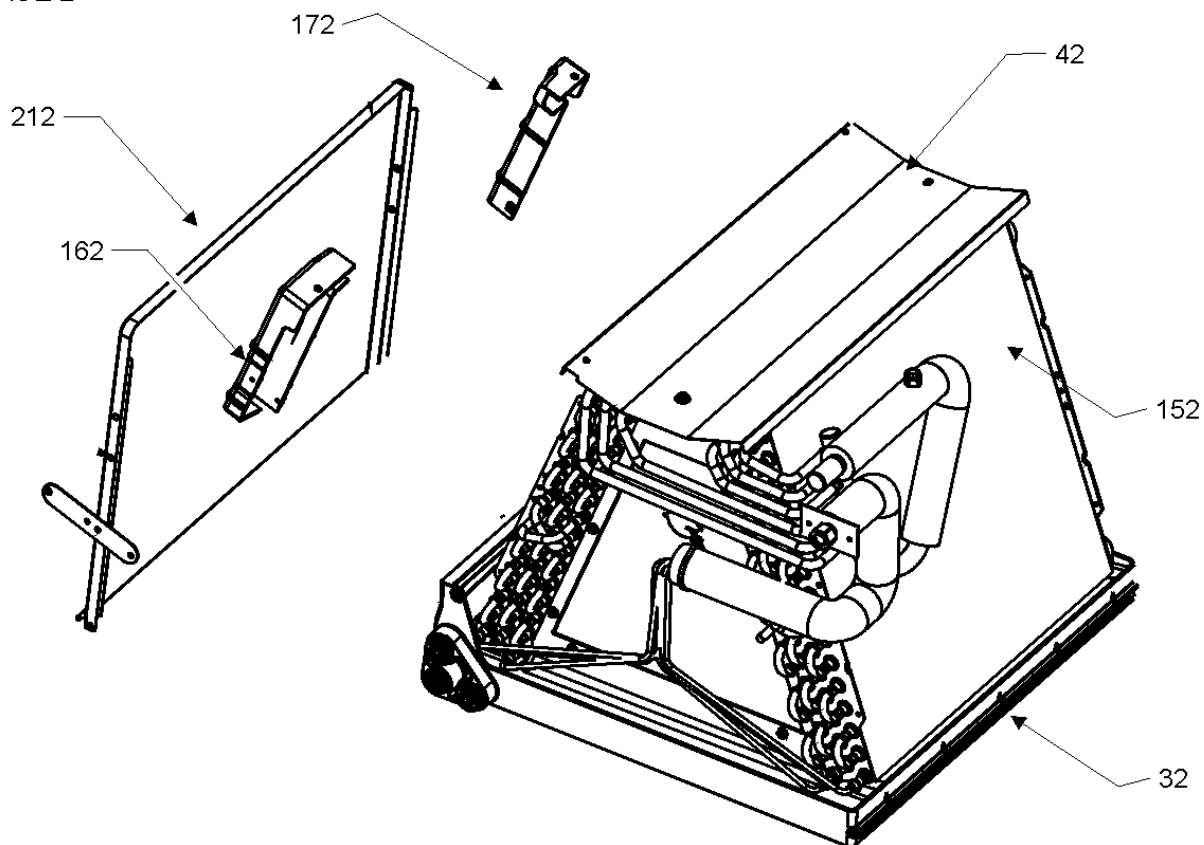


IMAGE 2



Control Panel / Coil Assy

**Ref. Part
No: No:**

Description:

**Ref. Part
No: No:**

Description:

Image 1:

141	0130M00138	TRANSFORMER, 208/230, 24V
151	PCBFM103	PCB, TIME DELAY, EBTDR
NS	0259A00012P	WIRE ASSY, 9 PIN FEMALE CONN.
NS	0259A00013P	WIRE ASSY, 9 PIN MALE CONN.

Image 2:

32	0161A00026	DRAIN PAN (M1, M2, M3, M4, M5, M6, M7, M8, M9, M10)
32	0161A00027	DRAIN PAN (M11, M12, M13, M14, M15, M16, M17, M18, M19, M20)
32	0161A00028	DRAIN PAN (M21, M22, M23, M24, M25, M26)
42	0121A00317	Top Plate (M5, M9, M10)
42	0121A00318	Top Plate (M2)
42	0121A00319	Top Plate (M13)
42	0121A00320	Top Plate (M6, M7, M11, M12, M15, M16, M19, M20)
42	0121A00321	Top Plate (M22, M23, M25, M26)
152	0270A00668	COIL TUBING ASSY (M17, M18)
152	0270A00669	COIL TUBING ASSY (M13)
152	0270A00671	COIL TUBING ASSY (M8)
152	0270A00683	COIL TUBING ASSY (M1, M3)
152	0270A00684	COIL TUBING ASSY (M21, M24)
152	0270A00695	COIL TUBING ASSY (M2)
152	0270A00696	COIL TUBING ASSY (M4)
152	0270A00700	COIL TUBING ASSY (M9, M10)
152	0270A00701	COIL TUBING ASSY (M15, M16)
152	0270A00703	COIL TUBING ASSY (M19, M20)
152	0270A00706	COIL TUBING ASSY (M22, M23)
152	0270A00707	COIL TUBING ASSY (M25, M26)
152	0270A00710	COIL TUBING ASSY (M5)
152	0270A00712	COIL TUBING ASSY (M14)
152	0270A00742	COIL TUBING ASSY (M11, M12)
152	0270A00768	COIL TUBING ASSY (M6, M7)
162	0161A00024	Plastic Condensate Collector
172	0161A00025	Plastic Condensate Collector
212	0121A00304PDG	Drip Shield, Ptd (M1, M2, M3, M4, M5, M6, M7, M8, M9, M10)
212	0121A00305PDG	Drip Shield, Ptd (M11, M12, M13, M14, M15, M16, M17, M18, M19, M20)
212	0121A00306PDG	Drip Shield, Ptd (M21, M22, M23, M24, M25, M26)
NS	0163M00175	CAP WITH O-RING
NS	0154A00003BL	Gasket, Drain Pan
NS	B1787000	VALVE CORE

Expanded Model Nomenclature

M1 - ARUF18B14AA
M2 - ARUF18B14AB
M3 - ARUF24B14AA
M4 - ARUF24B14AB
M5 - ARUF24B14BA
M6 - ARUF24B14BB
M7 - ARUF24B14CA
M8 - ARUF30B14AA
M9 - ARUF30B14AB
M10 - ARUF30B14AC
M11 - ARUF30C14BA
M12 - ARUF30C14BB
M13 - ARUF36C14AA
M14 - ARUF36C14BA
M15 - ARUF36C14BB
M16 - ARUF36C14BC
M17 - ARUF42C14AA
M18 - ARUF42C14AB
M19 - ARUF42C14AC
M20 - ARUF42C14AD
M21 - ARUF48D14AA
M22 - ARUF48D14AB
M23 - ARUF48D14AC
M24 - ARUF60D14AA
M25 - ARUF60D14AB
M26 - ARUF60D14AC

Blower Components

Image 1

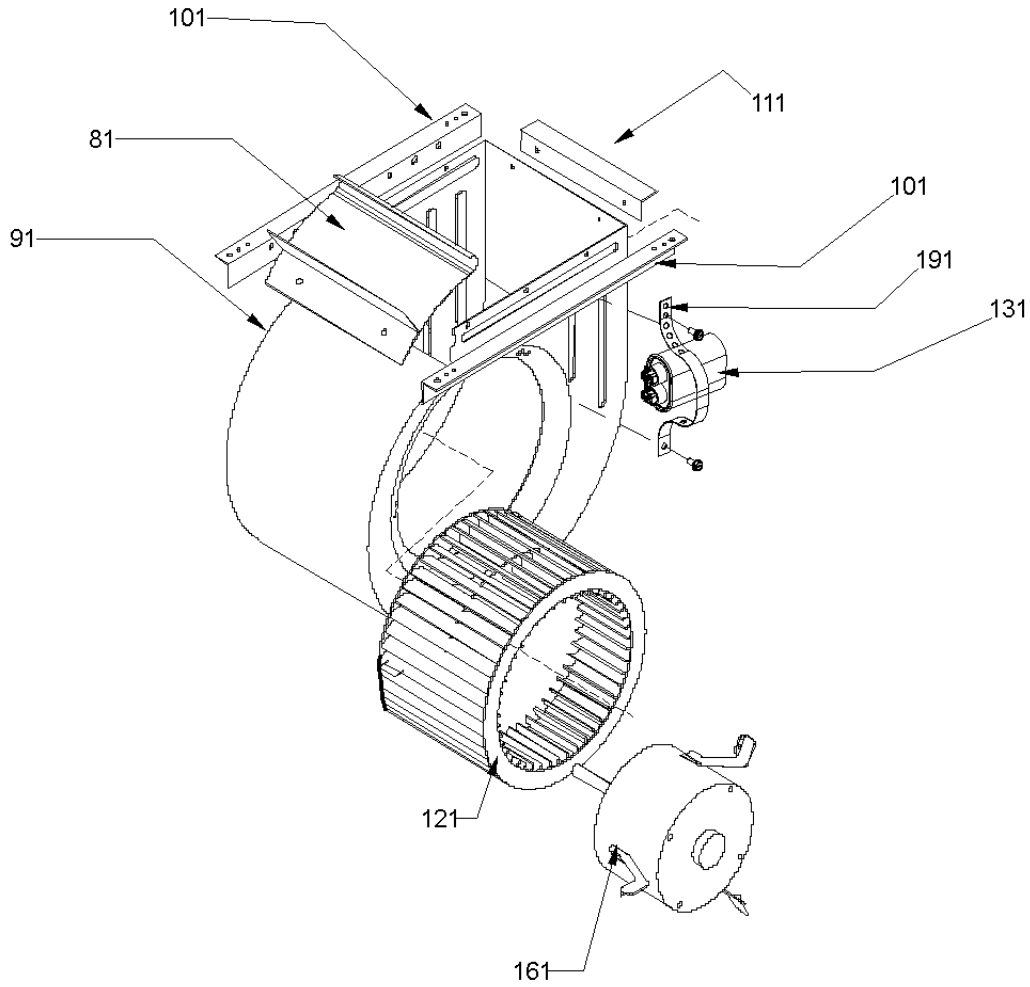
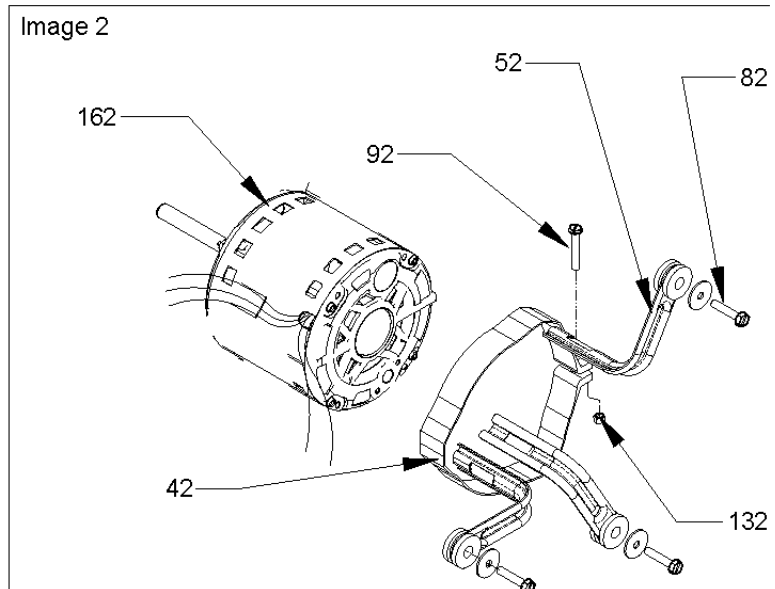


Image 2



Blower Components

Ref. Part No:	No:	Description:	Ref. Part No:	No:	Description:
<i>Image 1:</i>			Expanded Model Nomenclature		
81	1864700F	BELT DRIVE BLOWER CUT-OFF (M24, M25, M26)	M1 -	ARUF18B14AA	
81	764741F	BLOWER BLOCK-OFF 10 X 10 (M18, M19, M20, M21, M22, M23)	M2 -	ARUF18B14AB	
81	764733F	BLOWER CUT-OFF 9 X 6 (M1, M2, M3, M4, M5, M6, M7, M8, M9, M10)	M3 -	ARUF24B14AA	
81	764740	BLWR BLK-OFF,10X8 (M11, M12, M13, M14, M15, M16, M17)	M4 -	ARUF24B14AB	
91	0271A00016	ASSY, BLOWER SHELL (M18, M19, M20, M21, M22, M23)	M5 -	ARUF24B14BA	
91	0271A00013	ASSY, BLOWER SHELL (11 X 10) (M24, M25, M26)	M6 -	ARUF24B14BB	
91	0271A00029	BLOWER HOUSING ASSY 10 X 8 (M11, M12, M13, M14, M15, M16, M17)	M7 -	ARUF24B14CA	
91	1439389	BLOWER SHELL ASM F/ 9X6 WHL (M1, M2, M3, M4, M5, M6, M7, M8, M9, M10)	M8 -	ARUF30B14AA	
101	0121A00275	Rail, Blower (M24, M25, M26)	M9 -	ARUF30B14AB	
101	0121A00336	Rail, Blower (M1, M2, M3, M4, M5, M6, M7, M8, M9, M10)	M10 -	ARUF30B14AC	
111	0121A00337	Angle, Blower Mounting (M1, M2, M3, M4, M5, M6, M7, M8, M9, M10)	M11 -	ARUF30C14BA	
111	0121A00353	Angle, Blower Mounting (M24, M25, M26)	M12 -	ARUF30C14BB	
121	D6723306	BLOWER WHEEL (M18, M19, M20, M21, M22, M23)	M13 -	ARUF36C14AA	
121	D6723311	BLOWER WHEEL (M24, M25, M26)	M14 -	ARUF36C14BA	
121	B1368058	BLOWER WHEEL 10 X 8 (M11, M12, M13, M14, M15, M16, M17)	M15 -	ARUF36C14BB	
121	0150M00000	BLOWER WHEEL 9 X 6 (M1, M2, M3, M4, M5, M6, M7, M8, M9, M10)	M16 -	ARUF36C14BC	
131	CAP100000370VAP	CAP, 10 MFD/370V/OVAL (M1, M2, M3, M4, M5, M6, M7, M8, M9, M10, M11, M12, M13, M14, M15, M16, M17, M18, M19, M20)	M17 -	ARUF42C14AA	
131	CAP150000370VAP	CAP, 15 MFD/370V/OVAL (M21, M22, M23)	M18 -	ARUF42C14AB	
131	CAP250000370RPP	CAP, 25 MFD/370V/ RD (M24, M25, M26)	M19 -	ARUF42C14AC	
161	0131M00005P	BLOWER MOTOR 1/3 HP, 3 SP, 6 PL (M1, M2, M3, M4, M5, M6, M7, M8, M9, M10)	M20 -	ARUF42C14AD	
161	11091203	BLOWER MOTOR 1/3 HP, 3 SP, 6 PL (M11, M12, M13, M14, M15, M16, M17, M18, M19, M20)	M21 -	ARUF48D14AA	
191	1284835	CAPACITOR STRAP	M22 -	ARUF48D14AB	
			M23 -	ARUF48D14AC	
			M24 -	ARUF60D14AA	
			M25 -	ARUF60D14AB	
			M26 -	ARUF60D14AC	
<i>Image 2:</i>					
42	0121M00039	MOTOR MOUNT BAND (HEAVY DUTY) (M21, M22, M23, M24, M25, M26)			
52	B1376863	MOTOR MOUNT ARM (HEAVY DUTY) (M21, M22, M23, M24, M25, M26)			
82	B1393309	MACHINE SCREW, 1/4-20 TPI X 3/4" LG (M1, M2, M3, M4, M5, M6, M7, M8, M9, M10)			
82	B1393527	SCREW,HWH,14X1-1/2,A,BZ,SLOT (M24, M25, M26)			
82	M0250558	TC SCREW (M11, M12, M13, M14, M15, M16, M17, M18, M19, M20)			
82	M0250565	TC SCREW 1.25" (M21, M22, M23)			
92	B1393323	MACHINE SCREW HWH 1/4-20 X 1-1/2 BZ (M21, M22, M23, M24, M25, M26)			
132	B1393800	LOCKNUT, NYLON, INSERT 1/4, 20 (M21, M22, M23, M24, M25, M26)			
162	11091204	BLOWER MOTOR 1/2 HP, 3 SP, 8 PL (M21, M22, M23)			
162	0131M00297	BLOWER MOTOR, 3/4 HP, 3 SP (M24, M25, M26)			