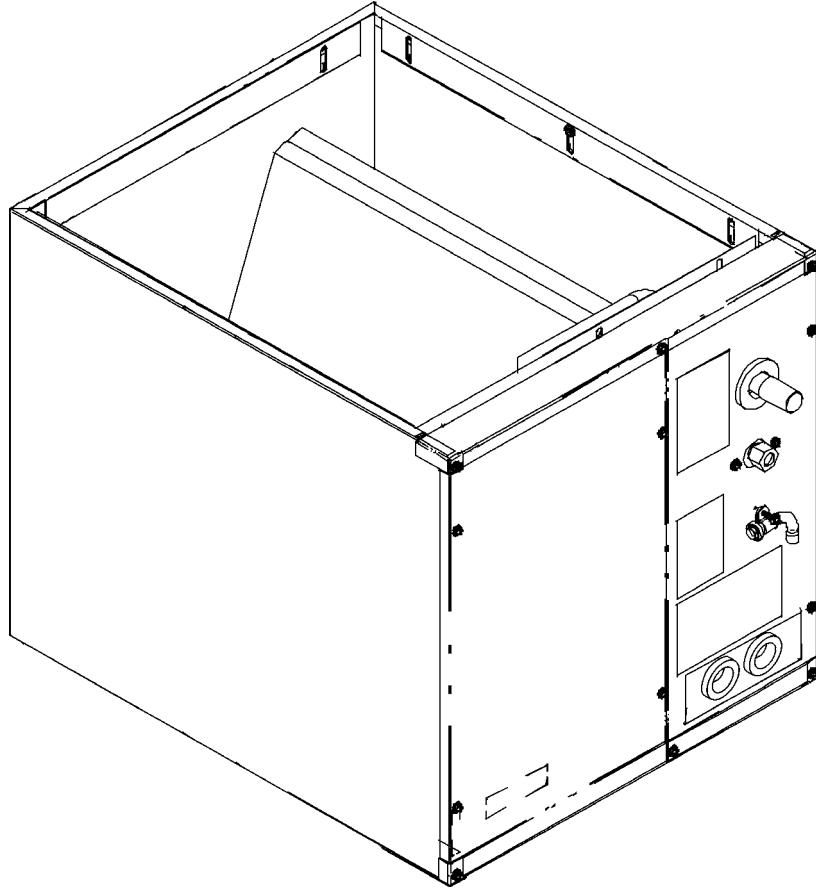


REPAIR PARTS

CAPF All Aluminum Cased Coils

CAPF1824A6DB
CAPF1824B6DB
CAPF1824C6DB
CAPF3030A6DB
CAPF3030B6DB
CAPF3030C6DB
CAPF3030D6DB
CAPF3131B6DB
CAPF3131C6DB
CAPF3636A6DB
CAPF3636B6DB
CAPF3636C6DB
CAPF3636D6DB
CAPF3642C6DB
CAPF3642D6DB
CAPF3743C6DB
CAPF3743D6DB
CAPF4860C6DB
CAPF4860D6DB
CAPF4961C6DB
CAPF4961D6DB



This manual is to be used by qualified technicians only.

© 2012 Goodman Manufacturing Company, L.P. ♦ 5151 San Felipe, Suite 500 ♦ Houston, TX 77056

Important Information

Index

Functional Parts List	3
Illustration and Parts	4 - 5

Views shown are for parts illustrations only, not servicing procedures.

Text Codes:

AR - As Required

NA - Not Available

NS - Not Shown

00000000 - See Note

QTY - Quantity Example (QTY 3) (If Quantity not shown, Quantity = 1)

M - Model Example (M1) (If M Code not shown, then part is used on all Models)

Expanded Model Nomenclature:

Example M1 - Model#1 M2 - Model#2 M3 - Model#3

Goodman Manufacturing Company, L.P. is not responsible for personal injury or property damage resulting from improper service. Review all service information before beginning repairs.

Warranty service must be performed by an authorized technician, using authorized factory parts. If service is required after the warranty expires, Goodman Manufacturing Company, L.P. also recommends contacting an authorized technician and using authorized factory parts.

Goodman Manufacturing Company, L.P. reserves the right to discontinue, or change at any time, specifications or designs without notice or without incurring obligations.

For assistance within the U.S.A. contact:
Consumer Affairs Department
Goodman Manufacturing Company, L.P.
7401 Security Way
Houston, Texas 77040
877-254-4729-Telephone
713-863-2382-Facsimile

For assistance outside the U.S.A. contact:
International Division
Goodman Manufacturing Company, L.P.
7401 Security Way
Houston, Texas 77040
713-861-2500-Telephone
713-863-2382-Facsimile

Functional Parts

Part

No: **Description:**

SPECIAL PARTS

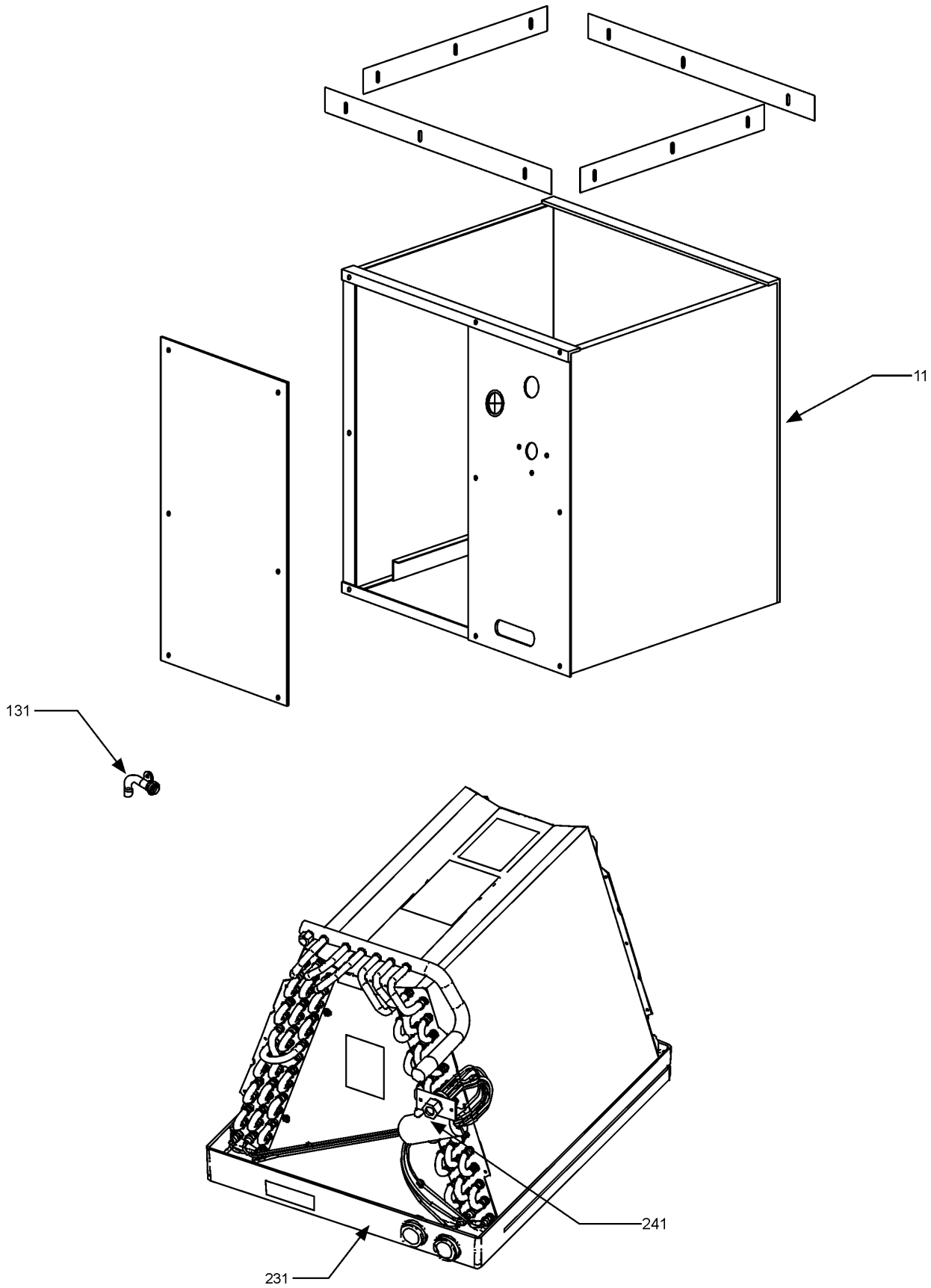
IO-284B INSTAL & OPER INSTR, CAUF/CAPF

PKC-02 PISTION KIT CHART

Expanded Model Nomenclature

M1 - CAPF1824A6DB
M2 - CAPF1824B6DB
M3 - CAPF1824C6DB
M4 - CAPF3030A6DB
M5 - CAPF3030B6DB
M6 - CAPF3030C6DB
M7 - CAPF3030D6DB
M8 - CAPF3131B6DB
M9 - CAPF3131C6DB
M10 - CAPF3636A6DB
M11 - CAPF3636B6DB
M12 - CAPF3636C6DB
M13 - CAPF3636D6DB
M14 - CAPF3642C6DB
M15 - CAPF3642D6DB
M16 - CAPF3743C6DB
M17 - CAPF3743D6DB
M18 - CAPF4860C6DB
M19 - CAPF4860D6DB
M20 - CAPF4961C6DB
M21 - CAPF4961D6DB

Cabinet Assy



Cabinet Assy

**Ref. Part
No: No:**

Description:

**Ref. Part
No: No:**

Description:

Image 1:

11	5550831	WRAPPER 21" X 22" PAINT (M3, M6, M9, M12, M14)
11	5550836	WRAPPER 21" X 30" PAINT (M16, M18, M20)
11	5550833	WRAPPER 14" X 18" PAINT (M1)
11	5550834	WRAPPER 14" X 22" PAINT (M4, M10)
11	5550822	WRAPPER 17.5" X 18" PAINT (M2)
11	5550823	WRAPPER 17.5" X 22" PAINT (M5, M8, M11)
11	5550832	WRAPPER 24.5" X 22" PAINT (M7, M13, M15)
11	5550826	WRAPPER 24.5" X 30" PAINT (M17, M19, M21)
41	0162A00048	FLOWRATOR .059 (M1, M2, M3)
41	0162D00074	FLOWRATOR .065 (M4, M5, M6, M7)
41	0162D00075	FLOWRATOR .068 (M8, M9)
41	0162D00077	FLOWRATOR .071 (M10, M11, M12, M13)
41	0162D00076	FLOWRATOR .078 (M14, M15, M16, M17)
41	0162A00051	FLOWRATOR .093 (M18, M19, M20, M21)
131	BT1369063	90 DEGREE STUB
231	BT5076502DF	DRAIN PAN LARGE (M3, M6, M9, M12, M14, M16, M18, M20)
231	BT5076501DF	DRAIN PAN MEDIUM (M2, M5, M8, M11)
231	BT5076500DF	DRAIN PAN SMALL (M1, M4, M10)
231	BT5076503DF	DRAIN PAN XLARGE (M7, M13, M15, M17, M19, M21)
NS	B9102097	CAP W/O-RING
NS	BT1787000	VALVE CORE

Expanded Model Nomenclature

M1 - CAPF1824A6DB
M2 - CAPF1824B6DB
M3 - CAPF1824C6DB
M4 - CAPF3030A6DB
M5 - CAPF3030B6DB
M6 - CAPF3030C6DB
M7 - CAPF3030D6DB
M8 - CAPF3131B6DB
M9 - CAPF3131C6DB
M10 - CAPF3636A6DB
M11 - CAPF3636B6DB
M12 - CAPF3636C6DB
M13 - CAPF3636D6DB
M14 - CAPF3642C6DB
M15 - CAPF3642D6DB
M16 - CAPF3743C6DB
M17 - CAPF3743D6DB
M18 - CAPF4860C6DB
M19 - CAPF4860D6DB
M20 - CAPF4961C6DB
M21 - CAPF4961D6DB

IF A REPLACEMENT COIL IS NEEDED, PLEASE REFER TO THE CORRESPONDING UNCASSED COIL (CAUF).