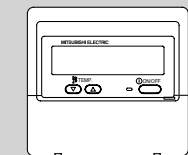
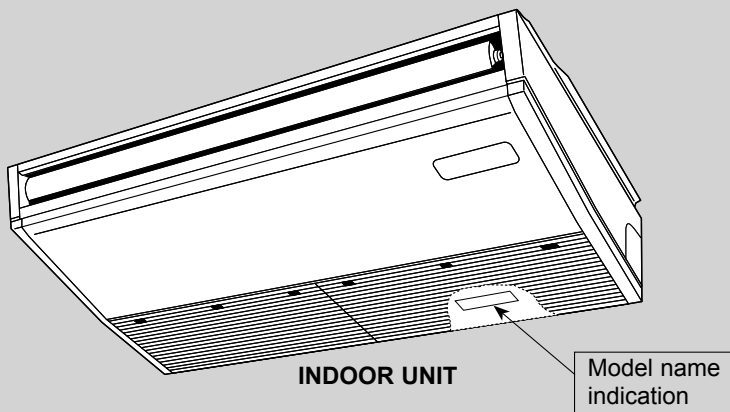


PARTS CATALOG

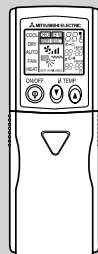
Series PCA Ceiling Suspended R410A

Indoor unit [Model names]	[Service Ref.]
PCA-A24KA4	PCA-A24KA4
PCA-A30KA4	PCA-A30KA4
PCA-A36KA4	PCA-A36KA4
PCA-A42KA4	PCA-A42KA4

NOTE:
• RoHS compliant products have <G> mark on the spec name plate.



**WIRED REMOTE
CONTROLLER**
(Option)



**IR WIRELESS REMOTE
CONTROLLER** (Option)



CONTENTS

1. RoHS PARTS LIST2

SERVICE MANUAL (OCH484)

Mr. SLIM™

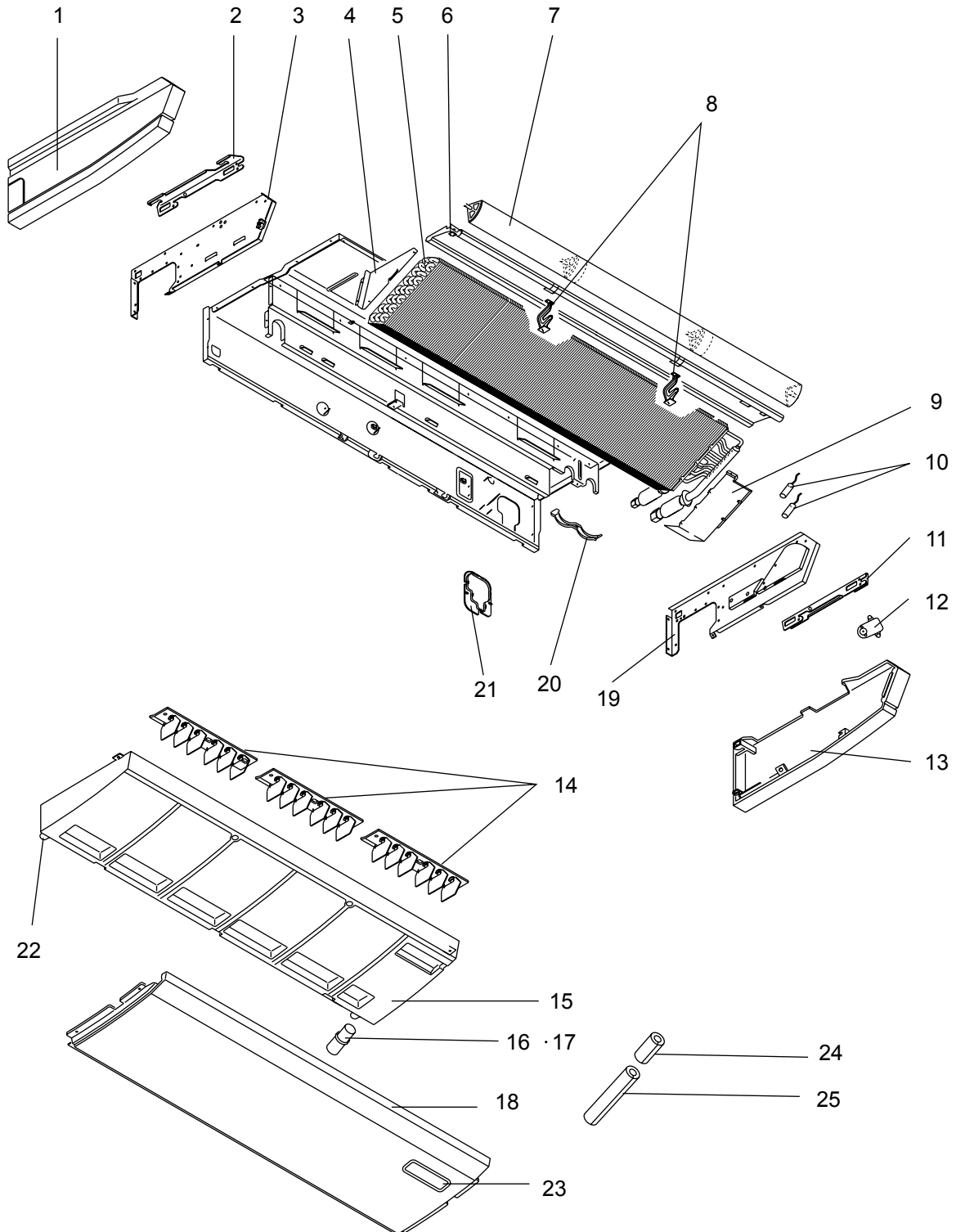
STRUCTURAL AND FUNCTIONAL PARTS (1)

PCA-A24KA4

PCA-A30KA4

PCA-A36KA4

PCA-A42KA4





No.	RoHS	Part No.	Part Name	Specification	Q'ty/set				Remarks (Drawing No.)	Wiring Diagram Symbol	Recom- mended Q'ty
					PCA-A-KA4						
					24	30	36	42			
1	G	R01 E26 662	SIDE PANEL-L		1	1	1	1			
2	G	R01 E06 809	LEG-L		1	1	1	1			
3	G	T7W E04 666	SIDE PLATE-L		1	1	1	1			
4	G	R01 E05 615	COIL SUPPORT-H		1	1	1	1			
5	G	T7W N10 480	HEAT EXCHANGER		1	1					
	G	R01 N51 480	HEAT EXCHANGER				1				
	G	R01 N52 480	HEAT EXCHANGER					1			
6	G	T7W E14 651	FRONT PANEL		1	1					
	G	T7W E15 651	FRONT PANEL				1	1			
7	G	R01 E29 002	AUTO VANE		1	1					
	G	R01 E30 002	AUTO VANE				1	1			
8	G	R01 E04 033	VANE SUPPORT		2	2	2	2			
9	G	T7W E00 615	COIL SUPPORT		1	1	1	1			
10	G	T7W E61 202	THERMISTOR (PIPE)		1	1	1	1		TH2/TH5	
11	G	R01 E06 808	LEG-R		1	1	1	1			
12	G	R01 E25 223	VANE MOTOR ASSY		1	1	1	1		MV	
13	G	R01 E45 661	SIDE PANEL-R		1	1	1	1			
14	G	R01 E03 085	GUIDE VANE		3	3					
	G	R01 E04 085	GUIDE VANE				3	3			
15	G	T7W E36 529	DRAIN PAN		1	1					
	G	T7W E37 529	DRAIN PAN				1	1			
16	G	R01 18J 523	JOINT SOCKET		1	1	1	1			
17	G	R01 18J 072	DRAIN HOSE COVER		1	1	1	1			
18	G	R01 E04 669	UNDER PANEL		1	1					
	G	R01 E05 669	UNDER PANEL				1	1			
19	G	T7W E05 665	SIDE PLATE-R		1	1	1	1			
20	G	R01 E02 126	PIPE BAND		1	1	1	1			
21	G	R01 E00 053	PIPE HOLE COVER		1	1	1	1			
22	G	R01 18J 524	DRAIN PLUG		1	1	1	1			
23	G	T7W E04 070	BRAND PLATE		1	1	1	1			
24	G	R01 E03 660	DRAIN SOCKET COVER		1	1	1	1			
25	G	R01 E04 660	PIPE COVER SET		1	1	1	1			

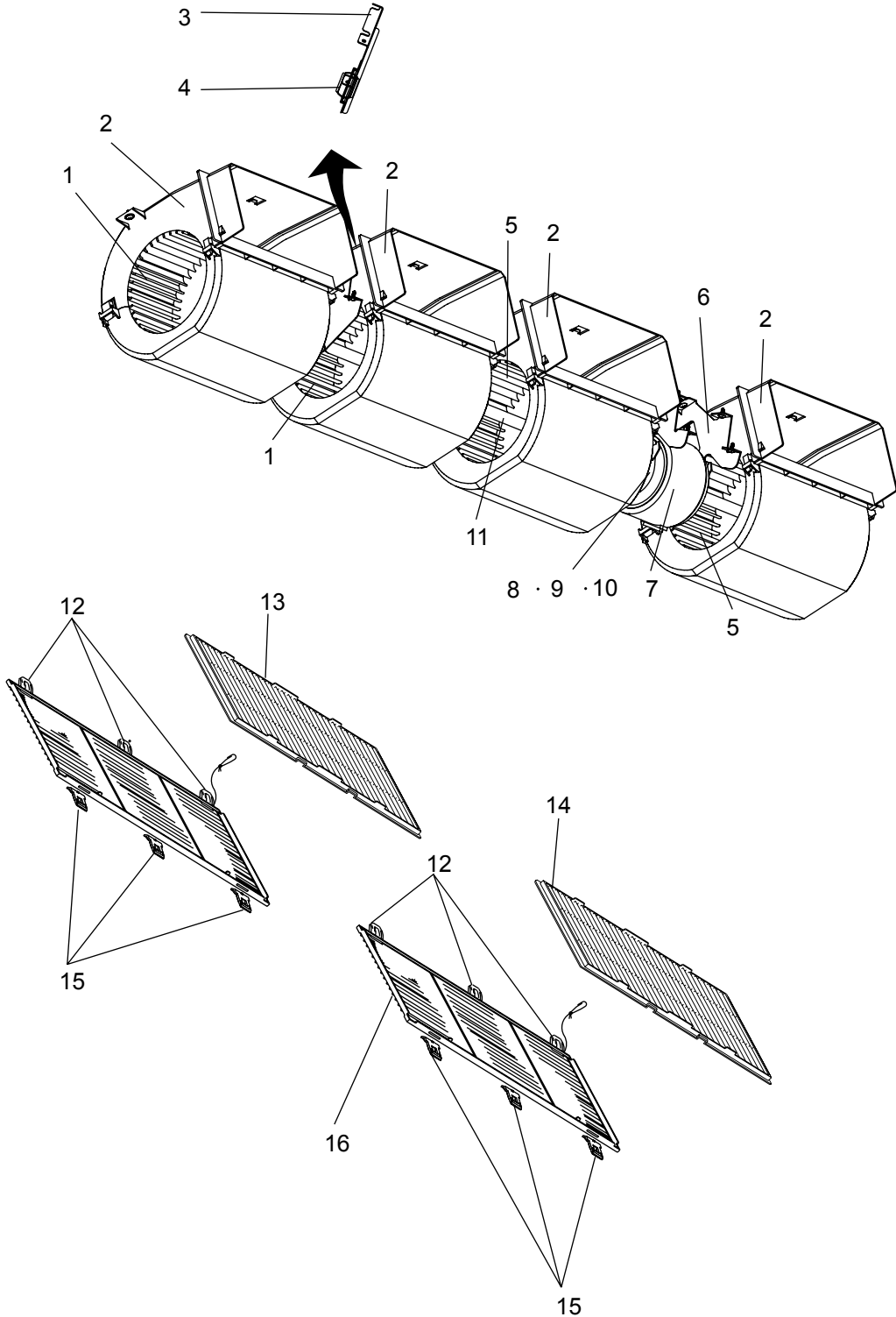
STRUCTURAL AND FUNCTIONAL PARTS (2)

PCA-A24KA4

PCA-A30KA4

PCA-A36KA4

PCA-A42KA4





No.	ROHS	Part No.	Part Name	Specification	Q'ty/set				Remarks (Drawing No.)	Wiring Diagram Symbol	Recom- mended Q'ty
					PCA-A-KA4						
					24	30	36	42			
1	G	R01 E41 114	SIROCCO FAN			2	2				
2	G	R01 20J 110	CASING		3	3	4	4			
3	G	R01 E00 145	BEARING SUPPORT		1	1	1	1			
4	G	R01 E05 103	BEARING		1	1	1	1			
5	G	R01 E40 114	SIROCCO FAN		3	3	2	2			
6	G	R01 E41 130	MOTOR LEG		1	1	1	1			
7	G	R01 E47 220	FAN MOTOR		1	1				MF	
	G	R01 E48 220	FAN MOTOR				1	1		MF	
8	G	R01 46E 126	PIECE (MOTOR) R.L		1	1	1	1			
9	G	R01 E00 116	JOINT(SHAFT)		1	1	1	1			
10	G	R01 47A 105	RUBBER MOUNT		2	2	2	2			
11	G	R01 31J 100	SHAFT		1	1					
	G	R01 32J 100	SHAFT				1	1			
12	G	R01 E04 061	GRILLE HINGE		5	5	6	6			
13	G	R01 E24 500	AIR FILTER		1	1					
14	G	R01 E25 500	AIR FILTER		1	1	2	2			
15	G	R01 E11 054	GRILLE CATCH		5	5	6	6			
16	G	R01 E54 691	GRILLE (SMALL)		1	1					
	G	R01 E55 691	GRILLE (LARGE)		1	1	2	2			

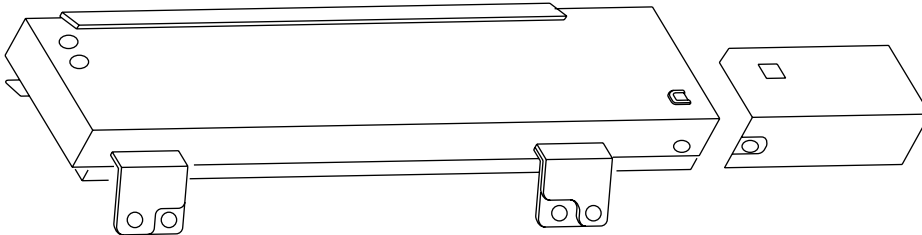
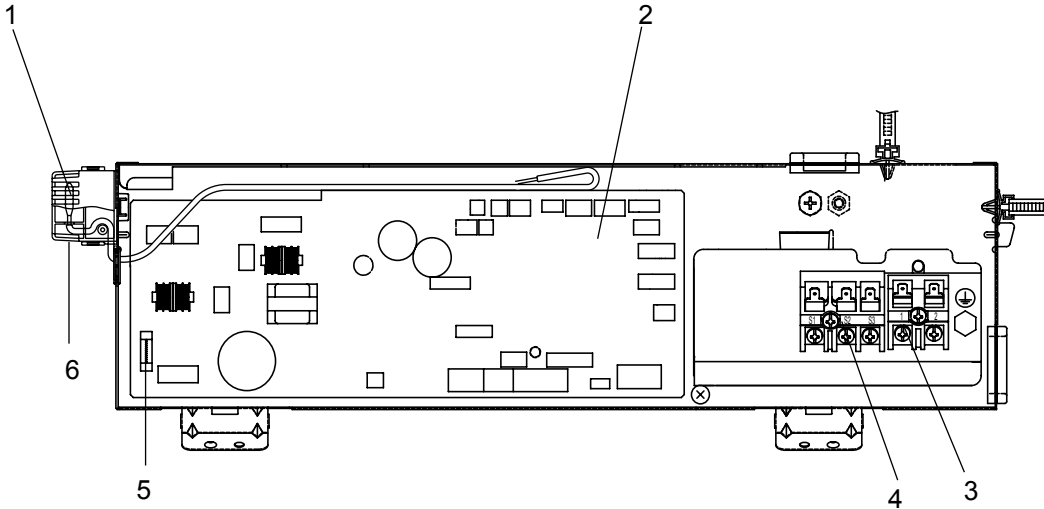
ELECTRICAL PARTS

PCA-A24KA4

PCA-A30KA4

PCA-A36KA4

PCA-A42KA4



No.	RoHS	Part No.	Part Name	Specification	Q'ty/set	Remarks (Drawing No.)	Wiring Diagram Symbol	Recom- mended Q'ty
					PCA-A-KA4 24, 30, 36, 42			
1	G	R01 N18 202	THERMISTOR (ROOM)		1		TH1	
2	G	T7W E97 310	CONTROLLER BOARD		1		I.B	
3	G	R01 E48 246	TERMINAL BLOCK	2P (1,2)	1		TB5	
4	G	R01 E18 246	TERMINAL BLOCK	3P (S1, S2, S3)	1		TB4	
5	G	R01 E14 239	FUSE	6.3A 250V	1		FUSE	
6	G	R01 E01 520	SENSOR COVER		1			

Mr. SLIM™

 **MITSUBISHI ELECTRIC CORPORATION**

HEAD OFFICE : TOKYO BLDG., 2-7-3, MARUNOUCHI, CHIYODA-KU, TOKYO 100-8310, JAPAN