



The new degree of comfort.™

Rheem Value Series Heat Pumps

15PJL Series

Efficiencies up to 15 SEER/12.5 EER/8.50 HSPF
Nominal Sizes 1.5 to 5 Ton [5.28 to 17.6 kW]



"Proper sizing and installation of equipment is critical to achieve optimal performance. Ask your Contractor for details or visit www.energystar.gov."

- Painted louvered steel cabinet
- Easily accessible control box
- Condenser coils constructed with copper tubing and enhanced aluminum fins
- Grille/Motor mount for quiet fan operation
- Filter Drier (shipped – not installed)
- Expansion Valves with Internal Check Valve—Provides for quieter refrigerant metering.
- Enhanced Demand Defrost Control
- Factory Installed Low Pressure Control
- Non-Cycling Reversing Valve
- Hot Gas Muffler
- Service Valves

TABLE OF CONTENTS

Model Number Identification	3
Accessories.....	3
Scroll Compressor	3
Performance Data	4-14
Electrical & Physical Data	15
Unit Dimensions.....	16
Refrigerant Line Size Information	17
Limited Warranty	18

Model Number Identification

<u>15</u>	<u>P</u>	<u>J</u>	<u>L</u>	<u>18</u>	<u>A</u>	<u>01</u>
15 SEER	P = HEAT PUMP	VOLTAGE J = 208-230 SINGLE PHASE	L = 1ST DESIGN (R-410A)	NOMINAL COOLING CAPACITY 18 = 18,000 BTU/HR [5.28 kW] 24 = 24,000 BTU/HR [7.03 kW] 30 = 30,000 BTU/HR [8.79 kW] 36 = 36,000 BTU/HR [10.55 kW] 42 = 42,000 BTU/HR [12.31 kW] 48 = 48,000 BTU/HR [14.07 kW] 60 = 60,000 BTU/HR [17.58 kW]	CABINET A = FULL METAL JACKET	RHEEM VALUE SERIES

Accessories

- Low Ambient Control (RXAD-A08)
- Crankcase Heater
- Heat Pump Monitor (RXPM-B01)
- Hard Start Components
- Heat Pump Thermostat Warning Light Kit
- Blower Time Delay Control (RXMD-C04).
- Fossil Fuel Kits—RXPF-01
RXPF-02

Thermostats



200-Series *
Programmable



300-Series *
Deluxe
Programmable

400-Series *
Special Applications/
Programmable



500-Series *
Communicating/
Programmable

Brand	Descriptor (3 Characters)	Series (3 Characters)	System (2 Characters)	Type (2 Characters)
RHC	-	TST	UN	MS
RHC=Rheem	TST=Thermostat	200=Programmable 300=Deluxe Programmable 400=Special Applications/ Programmable 500=Communicating/ Programmable	GE=Gas/Electric UN=Universal (AC/HP/GE) MD=Modulating Furnace DF=Dual Fuel CM=Communicating	SS=Single-Stage MS=Multi-Stage

* Photos are representative. Actual models may vary.

For detailed thermostat match-up information, see specification sheet form number T11-001.

Scroll® Compressor

The scroll compressor is the key to efficiency for this Rheem model. It's the latest in high-efficiency compressor technology. The advanced scroll compressor offers low noise and vibration characteristics and features tolerance to liquid refrigerant and system contamination. The scroll compressor also has low start torque, eliminating start problems in the field. And its unique design enables the 15PJL heat pumps to perform efficiently, quietly and dependably.

[] Designates Metric Conversions



Rheem Heat Pump System

For all season home comfort, performance and energy conservation, choose a Rheem Series Heat Pump and a RHSL, RHLL, or RHKL Series Air Handler.

More than a reverse cycle air conditioner, it's a specially designed combination Winter/Summer comfort system using a single indoor coil for heating and cooling.

To choose an Air Handler designed for use with the 15PJL Heat Pumps, refer to the Performance Data Tables and/or the air handler specification sheet.

Performance Data AHRI Standard Conditions—15PJL

Model Numbers		AHRI Cooling Performance							AHRI Heating Performance (70°F [21°C] Indoor)				
		80°F [26.5°C] DB/67°F [19.5°C] WB Indoor Air 95°F [35°C] DB Outdoor Air							Outdoor Air 47°F [8.5°C] DB/ 43°F [6°C] WB DOE High Temp.		Outdoor Air 17°F [-8.5°C] DB/ 15°F [-9.5°C] WB DOE Low Temp.		DOE Region IV HSPF
Outdoor Unit 15PJL	Indoor Coil and/or Air Handler	Total Capacity BTU/H [kW]	Net Sens. BTU/H [kW]	Net Latent BTU/H [kW]	EER	SEER	Snd. Rate dB	Indoor CFM [L/s]	BTU/H [kW]	COP	BTU/H [kW]	COP	
Rev. 7/13/12	RHLL-HM2417(RCSL-H*2417) ①	18,500 [5.4]	13,400 [3.9]	5,100 [1.5]	12.50	15.00	76	600 [283]	17,700 [5.2]	3.68	10,800 [3.2]	2.38	8.50
	RHBL-FR24T	19,600 [5.7]	14,900 [4.4]	4,700 [1.4]	12.50	15.00	76	600 [283]	16,500 [4.8]	3.48	9,500 [2.8]	2.04	8.20
	RCFL-H*2414	18,200 [5.3]	13,100 [3.8]	5,100 [1.5]	11.50	13.50	76	600 [283]	18,200 [5.3]	3.42	11,300 [3.3]	2.24	7.70
	RCFL-H*2417	18,200 [5.3]	13,100 [3.8]	5,100 [1.5]	11.00	13.50	76	600 [283]	18,200 [5.3]	3.42	11,300 [3.3]	2.24	7.70
	RCFL-H*2417(RGFE-06?MCK?)	18,500 [5.4]	13,400 [3.9]	5,100 [1.5]	12.50	15.00	76	575 [271]	17,700 [5.2]	3.68	10,800 [3.2]	2.38	8.20
	RCFL-H*2417(RGFE-07?MCK?)	18,400 [5.4]	13,300 [3.9]	5,100 [1.5]	12.50	15.00	76	600 [283]	17,700 [5.2]	3.68	10,800 [3.2]	2.38	8.20
	RCFL-H*2417(RGFG-06?MCK?)	18,500 [5.4]	13,400 [3.9]	5,100 [1.5]	12.50	15.00	76	575 [271]	17,700 [5.2]	3.68	10,800 [3.2]	2.38	8.20
	RCFL-H*2417(RGFG-07?MCK?)	18,400 [5.4]	13,400 [3.9]	5,000 [1.5]	12.50	15.50	76	600 [283]	17,700 [5.2]	3.58	10,800 [3.2]	2.36	8.20
	RCFL-H*2417(RGGE-06?MCK?)	18,400 [5.4]	13,300 [3.9]	5,100 [1.5]	12.50	15.00	76	600 [283]	17,700 [5.2]	3.66	10,800 [3.2]	2.38	8.20
	RCFL-H*2417(RGGE-07?MCK?)	18,500 [5.4]	13,400 [3.9]	5,100 [1.5]	12.50	15.00	76	575 [271]	17,700 [5.2]	3.68	10,800 [3.2]	2.38	8.20
	RCFL-H*2417(RGJF-06?MCK?)	18,500 [5.4]	13,400 [3.9]	5,100 [1.5]	12.50	15.00	76	625 [295]	17,700 [5.2]	3.68	10,800 [3.2]	2.38	8.20
	RCFL-H*2417(RGJF-07?MCK?)	18,500 [5.4]	13,400 [3.9]	5,100 [1.5]	12.50	15.00	76	575 [271]	17,700 [5.2]	3.68	10,800 [3.2]	2.38	8.20
	RCFL-H*2417(RGLE-07?AMK?)	18,500 [5.4]	13,400 [3.9]	5,100 [1.5]	12.50	15.00	76	600 [283]	17,700 [5.2]	3.70	10,800 [3.2]	2.38	8.20
	RCFL-H*2417(RGLT-07?AMK?)	18,900 [5.5]	13,950 [4.1]	4,950 [1.5]	12.50	15.00	76	675 [319]	17,700 [5.2]	3.66	10,800 [3.2]	2.36	8.20
	RCFL-H*2417(RGPE-05?BMK?)	18,500 [5.4]	13,400 [3.9]	5,100 [1.5]	12.50	15.00	76	575 [271]	17,700 [5.2]	3.68	10,800 [3.2]	2.38	8.20
	RCFL-H*2417(RGPE-07?AMK?)	18,500 [5.4]	13,400 [3.9]	5,100 [1.5]	12.50	15.00	76	625 [295]	17,700 [5.2]	3.68	10,800 [3.2]	2.38	8.20
	RCFL-H*2417(RGPT-05?BMK?)	18,700 [5.5]	13,700 [4.0]	5,000 [1.5]	12.50	15.00	76	650 [307]	17,800 [5.2]	3.64	10,900 [3.2]	2.36	8.20
	RCFL-H*2417(RGPT-07?AMK?)	18,400 [5.4]	13,300 [3.9]	5,100 [1.5]	12.50	15.00	76	625 [295]	17,700 [5.2]	3.66	10,800 [3.2]	2.36	8.20
	RCFL-H*2417(RGRM-04?MAE?)	18,400 [5.4]	13,350 [3.9]	5,050 [1.5]	12.50	15.00	76	575 [271]	17,800 [5.2]	3.66	10,900 [3.2]	2.36	8.20
	RCFL-H*2417(RGRM-06?MAE?)	18,400 [5.4]	13,300 [3.9]	5,100 [1.5]	12.50	15.00	76	600 [283]	17,700 [5.2]	3.66	10,800 [3.2]	2.36	8.20
RCFL-H*2417(RGRM-07?MAE?)	18,300 [5.4]	13,250 [3.9]	5,050 [1.5]	12.50	15.00	76	625 [295]	17,800 [5.2]	3.62	10,900 [3.2]	2.34	8.20	
RCFL-H*2417(RGTM-06?MAE?)	18,500 [5.4]	13,400 [3.9]	5,100 [1.5]	12.50	15.00	76	575 [271]	17,700 [5.2]	3.70	10,800 [3.2]	2.38	8.20	
RCFL-H*2417(ROCA-070E03)	18,500 [5.4]	13,400 [3.9]	5,100 [1.5]	12.50	15.00	76	600 [283]	17,700 [5.2]	3.68	10,800 [3.2]	2.38	8.20	
RCFL-H*2417(ROLA-070E03)	18,400 [5.4]	13,350 [3.9]	5,050 [1.5]	12.50	15.00	76	600 [283]	17,800 [5.2]	3.66	10,900 [3.2]	2.36	8.20	
RHKL-HM2417(RCSL-H*2417)	18,700 [5.5]	13,700 [4.0]	5,000 [1.5]	12.50	15.00	76	650 [307]	17,700 [5.2]	3.66	10,800 [3.2]	2.36	8.20	
RHSL-HM1817(RCSL-H*2417)	18,100 [5.3]	13,100 [3.8]	5,000 [1.5]	11.50	14.00	76	600 [283]	18,100 [5.3]	3.48	11,200 [3.3]	2.26	8.00	

① Highest sales volume tested combination required by D.O.E. test procedures.

[] Designates Metric Conversions

Performance Data AHRI Standard Conditions—15PJL (cont.)

Model Numbers		AHRI Cooling Performance							AHRI Heating Performance (70°F [21°C] Indoor)				
		80°F [26.5°C] DB/67°F [19.5°C] WB Indoor Air 95°F [35°C] DB Outdoor Air							Outdoor Air 47°F [8.5°C] DB/ 43°F [6°C] WB DOE High Temp.		Outdoor Air 17°F [-8.5°C] DB/ 15°F [-9.5°C] WB DOE Low Temp.		DOE Region IV HSPF
Outdoor Unit 15PJL	Indoor Coil and/or Air Handler	Total Capacity BTU/H [kW]	Net Sens. BTU/H [kW]	Net Latent BTU/H [kW]	EER	SEER	Snd. Rate dB	Indoor CFM [L/s]	BTU/H [kW]	COP	BTU/H [kW]	COP	
Rev. 7/13/12	RHLL-HM2417(RCSL-H*2417) ①	23,600 [6.9]	16,800 [4.9]	6,800 [2.0]	12.50	15.00	74	775 [366]	21,600 [6.3]	3.58	12,400 [3.6]	2.22	8.50
	RHBL-FR24T	25,000 [7.3]	19,350 [5.7]	5,650 [1.7]	12.50	15.00	74	850 [401]	21,400 [6.3]	3.56	12,300 [3.6]	2.14	8.20
	RCFL-A*2414	23,200 [6.8]	16,400 [4.8]	6,800 [2.0]	11.00	13.50	74	775 [366]	22,200 [6.5]	3.34	13,000 [3.8]	2.06	7.70
	RCFL-H*2417	23,200 [6.8]	16,400 [4.8]	6,800 [2.0]	11.00	13.50	74	775 [366]	22,200 [6.5]	3.34	13,000 [3.8]	2.06	7.70
	RCFL-H*2417(RGFE-06?MCK?)	23,400 [6.9]	16,650 [4.9]	6,750 [2.0]	12.00	14.50	74	800 [378]	21,800 [6.4]	3.50	12,500 [3.7]	2.14	8.20
	RCFL-H*2417(RGFE-07?MCK?)	23,600 [6.9]	17,000 [5.0]	6,600 [1.9]	12.00	14.50	74	825 [389]	21,800 [6.4]	3.50	12,500 [3.7]	2.14	8.20
	RCFL-H*2417(RGFG-06?MCK?)	23,400 [6.9]	16,700 [4.9]	6,700 [2.0]	12.00	14.50	74	800 [378]	21,800 [6.4]	3.50	12,500 [3.7]	2.14	8.20
	RCFL-H*2417(RGFG-07?MCK?)	23,400 [6.9]	16,700 [4.9]	6,700 [2.0]	12.00	14.50	74	800 [378]	21,800 [6.4]	3.52	12,500 [3.7]	2.14	8.20
	RCFL-H*2417(RGGE-06?MCK?)	23,600 [6.9]	16,950 [5.0]	6,650 [1.9]	12.50	15.00	74	825 [389]	21,600 [6.3]	3.54	12,400 [3.6]	2.16	8.20
	RCFL-H*2417(RGGE-07?MCK?)	23,400 [6.9]	16,650 [4.9]	6,750 [2.0]	12.50	15.00	74	750 [354]	21,600 [6.3]	3.54	12,400 [3.6]	2.16	8.20
	RCFL-H*2417(RGJF-06?MCK?)	23,600 [6.9]	16,950 [5.0]	6,650 [1.9]	12.50	15.00	74	825 [389]	21,600 [6.3]	3.54	12,400 [3.6]	2.16	8.20
	RCFL-H*2417(RGJF-07?MCK?)	23,400 [6.9]	16,650 [4.9]	6,750 [2.0]	12.50	15.00	74	750 [354]	21,600 [6.3]	3.54	12,400 [3.6]	2.16	8.20
	RCFL-H*2417(RGLE-07?AMK?)	23,600 [6.9]	16,850 [4.9]	6,750 [2.0]	12.50	15.00	74	750 [354]	21,600 [6.3]	3.56	12,400 [3.6]	2.16	8.50
24	RCFL-H*2417(RGLT-07?AMK?)	23,800 [7.0]	17,250 [5.1]	6,550 [1.9]	12.00	14.50	74	850 [401]	21,800 [6.4]	3.50	12,500 [3.7]	2.14	8.20
	RCFL-H*2417(RGPE-05?BMK?)	23,400 [6.9]	16,650 [4.9]	6,750 [2.0]	12.50	15.00	74	750 [354]	21,600 [6.3]	3.54	12,400 [3.6]	2.16	8.20
	RCFL-H*2417(RGPE-07?AMK?)	23,600 [6.9]	17,000 [5.0]	6,600 [1.9]	12.50	15.00	74	825 [389]	21,600 [6.3]	3.54	12,500 [3.7]	2.16	8.20
	RCFL-H*2417(RGPT-05?BMK?)	23,800 [7.0]	17,250 [5.1]	6,550 [1.9]	12.00	14.50	74	850 [401]	21,800 [6.4]	3.48	12,600 [3.7]	2.12	8.20
	RCFL-H*2417(RGPT-07?AMK?)	23,800 [7.0]	17,250 [5.1]	6,550 [1.9]	12.00	14.50	74	850 [401]	21,800 [6.4]	3.50	12,600 [3.7]	2.14	8.20
	RCFL-H*2417(RGRM-04?MAE?)	23,400 [6.9]	16,650 [4.9]	6,750 [2.0]	12.00	14.50	74	750 [354]	21,600 [6.3]	3.52	12,500 [3.7]	2.14	8.20
	RCFL-H*2417(RGRM-06?MAE?)	23,400 [6.9]	16,650 [4.9]	6,750 [2.0]	12.00	14.50	74	775 [366]	21,600 [6.3]	3.52	12,500 [3.7]	2.14	8.20
	RCFL-H*2417(RGRM-07?MAE?)	23,200 [6.8]	16,500 [4.8]	6,700 [2.0]	11.50	14.00	74	800 [378]	21,800 [6.4]	3.46	12,600 [3.7]	2.12	8.20
	RCFL-H*2417(RGTM-06?MAE?)	23,400 [6.9]	16,650 [4.9]	6,750 [2.0]	12.50	15.00	74	750 [354]	21,600 [6.3]	3.56	12,400 [3.6]	2.16	8.50
	RCFL-H*2417(RHWB-04WMX36A)	23,600 [6.9]	16,900 [5.0]	6,700 [2.0]	12.50	15.00	74	825 [389]	21,400 [6.3]	3.46	12,200 [3.6]	2.08	8.20
	RCFL-H*2417(ROCA-070E03)	23,400 [6.9]	16,650 [4.9]	6,750 [2.0]	12.00	14.50	74	800 [378]	21,600 [6.3]	3.54	12,400 [3.6]	2.16	8.20
	RCFL-H*2417(ROLA-070E03)	23,400 [6.9]	16,650 [4.9]	6,750 [2.0]	12.00	14.50	74	800 [378]	21,600 [6.3]	3.54	12,500 [3.7]	2.16	8.20
	RHKL-HM2417(RCSL-H*2417)	23,200 [6.8]	17,200 [5.0]	6,000 [1.8]	12.50	15.00	74	825 [389]	21,800 [6.4]	3.52	12,500 [3.7]	2.14	8.50
RHSL-HM2417(RCSL-H*2417)	23,000 [6.7]	16,350 [4.8]	6,650 [1.9]	11.00	13.50	74	800 [378]	22,000 [6.4]	3.36	12,900 [3.8]	2.08	7.70	

① Highest sales volume tested combination required by D.O.E. test procedures.

[] Designates Metric Conversions

Performance Data AHRI Standard Conditions—15PJL (cont.)

Model Numbers		AHRI Cooling Performance							AHRI Heating Performance (70°F [21°C] Indoor)				
		80°F [26.5°C] DB/67°F [19.5°C] WB Indoor Air 95°F [35°C] DB Outdoor Air							Outdoor Air 47°F [8.5°C] DB/ 43°F [6°C] WB DOE High Temp.		Outdoor Air 17°F [-8.5°C] DB/ 15°F [-9.5°C] WB DOE Low Temp.		DOE Region IV HSPF
Outdoor Unit 15PJL	Indoor Coil and/or Air Handler	Total Capacity BTU/H [kW]	Net Sens. BTU/H [kW]	Net Latent BTU/H [kW]	EER	SEER	Snd. Rate dB	Indoor CFM [L/s]	BTU/H [kW]	COP	BTU/H [kW]	COP	
Rev. 7/13/12	RHLL-HM3617(RCSL-H*3617) ①	28,800 [8.4]	21,250 [6.2]	7,550 [2.2]	12.50	15.00	73	950 [448]	27,200 [8.0]	3.62	16,300 [4.8]	2.30	8.50
	RHBL-FR36T	29,000 [8.5]	22,300 [6.5]	6,700 [2.0]	12.50	15.00	73	975 [460]	28,000 [8.2]	3.74	16,700 [4.9]	2.42	8.50
30	RCFL-H*3617	28,600 [8.4]	21,050 [6.2]	7,550 [2.2]	11.50	13.50	73	950 [448]	27,800 [8.1]	3.42	16,900 [5.0]	2.20	7.70
	RCFL-H*3617(RGFE-06?MCK?)	28,800 [8.4]	21,500 [6.3]	7,300 [2.1]	11.50	14.00	73	1,000 [472]	27,600 [8.1]	3.50	16,600 [4.9]	2.24	8.20
	RCFL-H*3617(RGFE-07?MCK?)	28,800 [8.4]	21,600 [6.3]	7,200 [2.1]	11.50	14.00	73	1,025 [484]	27,600 [8.1]	3.48	16,700 [4.9]	2.24	8.20
	RCFL-H*3617(RGFG-06?MCK?)	28,800 [8.4]	21,600 [6.3]	7,200 [2.1]	11.50	14.00	73	1,000 [472]	27,600 [8.1]	3.50	16,600 [4.9]	2.24	8.20
	RCFL-H*3617(RGFG-07?MCK?)	28,800 [8.4]	21,400 [6.3]	7,400 [2.2]	11.50	14.00	73	1,000 [472]	27,600 [8.1]	3.44	16,700 [4.9]	2.20	8.20
	RCFL-H*3617(RGGE-06?MCK?)	28,800 [8.4]	21,500 [6.3]	7,300 [2.1]	11.50	14.00	73	1,000 [472]	27,400 [8.0]	3.52	16,600 [4.9]	2.26	8.20
	RCFL-H*3617(RGGE-07?MCK?)	29,000 [8.5]	21,750 [6.4]	7,250 [2.1]	11.50	14.00	73	1,025 [484]	27,400 [8.0]	3.52	16,600 [4.9]	2.26	8.20
	RCFL-H*3617(RGJF-06?MCK?)	28,800 [8.4]	21,500 [6.3]	7,300 [2.1]	11.50	14.00	73	1,000 [472]	27,400 [8.0]	3.52	16,600 [4.9]	2.26	8.20
	RCFL-H*3617(RGJF-07?MCK?)	29,000 [8.5]	21,750 [6.4]	7,250 [2.1]	11.50	14.00	73	1,025 [484]	27,400 [8.0]	3.52	16,600 [4.9]	2.26	8.20
	RCFL-H*3617(RGLE-07?AMK?)	29,200 [8.6]	21,950 [6.4]	7,250 [2.1]	12.00	14.50	73	1,025 [484]	27,400 [8.0]	3.56	16,400 [4.8]	2.28	8.20
	RCFL-H*3617(RGLT-07?AMK?)	28,800 [8.4]	21,200 [6.2]	7,600 [2.2]	12.00	14.50	73	925 [437]	26,600 [7.8]	3.56	15,600 [4.6]	2.24	8.20
	RCFL-H*3617(RGPE-05?BMK?)	28,600 [8.4]	21,100 [6.2]	7,500 [2.2]	11.50	14.00	73	975 [460]	27,400 [8.0]	3.54	16,500 [4.8]	2.26	8.20
	RCFL-H*3617(RGPE-07?AMK?)	29,000 [8.5]	21,650 [6.3]	7,350 [2.2]	12.00	14.50	73	1,000 [472]	27,400 [8.0]	3.54	16,500 [4.8]	2.28	8.20
	RCFL-H*3617(RGPT-05?BMK?)	28,600 [8.4]	20,900 [6.1]	7,700 [2.3]	11.50	14.00	73	900 [425]	26,600 [7.8]	3.52	15,700 [4.6]	2.22	8.20
	RCFL-H*3617(RGPT-07?AMK?)	28,600 [8.4]	20,900 [6.1]	7,700 [2.3]	11.50	14.00	73	900 [425]	26,600 [7.8]	3.54	15,700 [4.6]	2.22	8.60
	RCFL-H*3617(RGRM-04?MAE?)	28,800 [8.4]	21,600 [6.3]	7,200 [2.1]	11.50	13.50	73	1,025 [484]	27,600 [8.1]	3.46	16,800 [4.9]	2.22	7.70
	RCFL-H*3617(RGRM-06?MAE?)	28,800 [8.4]	21,500 [6.3]	7,300 [2.1]	11.50	14.00	73	1,000 [472]	27,600 [8.1]	3.48	16,700 [4.9]	2.24	8.20
	RCFL-H*3617(RGRM-07?MAE?)	28,400 [8.3]	20,950 [6.1]	7,450 [2.2]	11.50	13.50	73	950 [448]	27,600 [8.1]	3.48	16,700 [4.9]	2.24	7.70
	RCFL-H*3617(RGTM-06?MAE?)	28,600 [8.4]	20,850 [6.1]	7,750 [2.3]	12.00	14.50	73	900 [425]	27,200 [8.0]	3.60	16,300 [4.8]	2.30	8.20
	RCFL-H*3617(RHWB-04WMX36A)	28,800 [8.4]	21,600 [6.3]	7,200 [2.1]	12.00	14.50	73	1,050 [495]	26,800 [7.9]	3.46	15,900 [4.7]	2.18	8.20
	RCFL-H*3617(RHWB-06WMX48A)	28,800 [8.4]	21,200 [6.2]	7,600 [2.2]	12.00	14.50	73	975 [460]	26,800 [7.9]	3.50	15,800 [4.6]	2.20	8.20
	RCFL-H*3617(ROCA-070E03)	29,000 [8.5]	21,650 [6.3]	7,350 [2.2]	12.00	14.50	73	1,000 [472]	27,400 [8.0]	3.56	16,400 [4.8]	2.28	8.20
	RCFL-H*3617(ROCA-070E04)	29,000 [8.5]	21,650 [6.3]	7,350 [2.2]	12.00	14.50	73	1,000 [472]	27,400 [8.0]	3.56	16,400 [4.8]	2.28	8.20
	RCFL-H*3617(ROLA-070E03)	28,800 [8.4]	21,250 [6.2]	7,550 [2.2]	12.00	14.50	73	975 [460]	27,200 [8.0]	3.58	16,400 [4.8]	2.30	8.20
	RCFL-H*3617(ROLA-070E04)	28,800 [8.4]	21,250 [6.2]	7,550 [2.2]	12.00	14.50	73	975 [460]	27,200 [8.0]	3.58	16,400 [4.8]	2.30	8.20

① Highest sales volume tested combination required by D.O.E. test procedures.

[] Designates Metric Conversions

Performance Data AHRI Standard Conditions—15PJL (cont.)

Model Numbers		AHRI Cooling Performance							AHRI Heating Performance (70°F [21°C] Indoor)				
		80°F [26.5°C] DB/67°F [19.5°C] WB Indoor Air 95°F [35°C] DB Outdoor Air							Outdoor Air 47°F [8.5°C] DB/ 43°F [6°C] WB DOE High Temp.		Outdoor Air 17°F [-8.5°C] DB/ 15°F [-9.5°C] WB DOE Low Temp.		DOE Region IV HSPF
Outdoor Unit 15PJL	Indoor Coil and/or Air Handler	Total Capacity BTU/H [kW]	Net Sens. BTU/H [kW]	Net Latent BTU/H [kW]	EER	SEER	Snd. Rate dB	Indoor CFM [L/s]	BTU/H [kW]	COP	BTU/H [kW]	COP	
Rev. 7/13/12	RCFL-H*3621(RGPT-05?BMK?)	28,600 [8.4]	20,900 [6.1]	7,700 [2.3]	11.50	14.00	73	900 [425]	26,600 [7.8]	3.54	15,700 [4.6]	2.22	8.20
	RCFL-H*3621(RGPT-07?AMK?)	28,800 [8.4]	21,200 [6.2]	7,600 [2.2]	11.50	14.00	73	925 [437]	26,600 [7.8]	3.54	15,700 [4.6]	2.22	8.20
	RCFL-H*3621(RGPT-07?BRQ?)	28,800 [8.4]	21,400 [6.3]	7,400 [2.2]	12.50	15.00	73	1,000 [472]	26,600 [7.8]	3.56	15,600 [4.6]	2.22	8.50
	RCFL-H*3621(RGPT-10?BRM?)	29,000 [8.5]	21,400 [6.3]	7,600 [2.2]	12.50	15.00	73	975 [460]	27,200 [8.0]	3.62	16,200 [4.7]	2.32	8.50
	RCFL-H*3621(RGRM-04?MAE?)	28,800 [8.4]	21,600 [6.3]	7,200 [2.1]	11.50	13.50	73	1,025 [484]	27,600 [8.1]	3.46	16,700 [4.9]	2.22	8.20
	RCFL-H*3621(RGRM-06?MAE?)	28,800 [8.4]	21,500 [6.3]	7,300 [2.1]	11.50	14.00	73	1,000 [472]	27,600 [8.1]	3.50	16,600 [4.9]	2.24	8.20
	RCFL-H*3621(RGRM-07?MAE?)	28,400 [8.3]	20,950 [6.1]	7,450 [2.2]	11.50	14.00	73	950 [448]	27,600 [8.1]	3.48	16,700 [4.9]	2.24	8.20
	RCFL-H*3621(RGRM-07?YBG?)	28,400 [8.3]	20,950 [6.1]	7,450 [2.2]	11.50	13.50	73	975 [460]	27,600 [8.1]	3.48	16,700 [4.9]	2.24	7.70
	RCFL-H*3621(RGRM-09?ZAJ?)	28,800 [8.4]	21,250 [6.2]	7,550 [2.2]	12.00	14.50	73	950 [448]	27,200 [8.0]	3.58	16,400 [4.8]	2.28	8.20
	RCFL-H*3621(RGRM-10?ZAJ?)	29,000 [8.5]	21,750 [6.4]	7,250 [2.1]	11.50	14.00	73	1,025 [484]	27,400 [8.0]	3.54	16,500 [4.8]	2.26	8.20
	RCFL-H*3621(RGTM-06?MAE?)	28,600 [8.4]	20,850 [6.1]	7,750 [2.3]	12.00	14.50	73	900 [425]	27,200 [8.0]	3.62	16,300 [4.8]	2.30	8.20
	RCFL-H*3621(RGTM-07?RBG?)	28,800 [8.4]	21,250 [6.2]	7,550 [2.2]	12.50	15.00	73	950 [448]	27,200 [8.0]	3.62	16,300 [4.8]	2.30	8.50
	RCFL-H*3621(RGTM-09?ZAJ?)	28,800 [8.4]	21,250 [6.2]	7,550 [2.2]	12.00	14.50	73	975 [460]	27,200 [8.0]	3.62	16,300 [4.8]	2.30	8.20
	RCFL-H*3621(RHWB-04WMX36A)	28,800 [8.4]	21,600 [6.3]	7,200 [2.1]	12.00	14.50	73	1,050 [495]	26,800 [7.9]	3.46	15,900 [4.7]	2.18	8.20
	RCFL-H*3621(RHWB-06WMX48A)	29,200 [8.6]	21,800 [6.4]	7,400 [2.2]	12.00	14.50	73	1,000 [472]	26,800 [7.9]	3.50	15,800 [4.6]	2.20	8.20
	RCFL-H*3621(ROCA-070E03)	29,000 [8.5]	21,650 [6.3]	7,350 [2.2]	12.00	14.50	73	1,000 [472]	27,400 [8.0]	3.58	16,400 [4.8]	2.28	8.20
	RCFL-H*3621(ROCA-070E04)	29,000 [8.5]	21,650 [6.3]	7,350 [2.2]	12.00	14.50	73	1,000 [472]	27,400 [8.0]	3.58	16,400 [4.8]	2.28	8.20
	RCFL-H*3621(ROLA-070E03)	28,600 [8.4]	20,850 [6.1]	7,750 [2.3]	12.50	15.00	73	900 [425]	27,200 [8.0]	3.64	16,200 [4.7]	2.32	8.50
	RCFL-H*3621(ROLA-070E04)	28,600 [8.4]	20,850 [6.1]	7,750 [2.3]	12.50	15.00	73	900 [425]	27,200 [8.0]	3.64	16,200 [4.7]	2.32	8.50
	RCFL-H*3621(ROLA-115E05)	28,600 [8.4]	20,850 [6.1]	7,750 [2.3]	12.50	15.00	73	900 [425]	27,200 [8.0]	3.64	16,200 [4.7]	2.32	8.50
RHKL-HM3617(RCSL-H*3617)	29,200 [8.6]	21,900 [6.4]	7,300 [2.1]	12.50	15.00	73	1,025 [484]	27,200 [8.0]	3.60	16,300 [4.8]	2.30	8.50	
RHSL-HM3017(RCSL-H*3617)	28,400 [8.3]	20,950 [6.1]	7,450 [2.2]	11.50	13.50	73	950 [448]	27,600 [8.1]	3.46	16,800 [4.9]	2.22	7.70	
36	RHLL-HM3617(RCSL-H*3617) ①	35,400 [10.4]	25,350 [7.4]	10,050 [2.9]	12.50	15.00	75	1,100 [519]	34,600 [10.1]	3.68	22,200 [6.5]	2.56	8.50
	RHBL-FR36T	35,800 [10.5]	26,600 [7.8]	9,200 [2.7]	12.50	15.00	75	1,125 [531]	35,200 [10.3]	3.78	22,600 [6.6]	2.48	8.50
	RCFL-H*3617	35,200 [10.3]	25,150 [7.4]	10,050 [2.9]	11.50	14.00	75	1,075 [507]	35,200 [10.3]	3.54	22,800 [6.7]	2.46	8.20
	RCFL-H*3617(RGLE-07?AMK?)	35,800 [10.5]	26,400 [7.7]	9,400 [2.8]	11.50	14.00	75	1,200 [566]	35,000 [10.3]	3.60	22,600 [6.6]	2.48	8.20
	RCFL-H*3617(RGLT-07?AMK?)	35,800 [10.5]	26,350 [7.7]	9,450 [2.8]	11.50	14.00	75	1,200 [566]	35,000 [10.3]	3.58	22,600 [6.6]	2.48	8.20

① Highest sales volume tested combination required by D.O.E. test procedures.

[] Designates Metric Conversions

Performance Data AHRI Standard Conditions—15PJL (cont.)

Model Numbers		AHRI Cooling Performance							AHRI Heating Performance (70°F [21°C] Indoor)				
		80°F [26.5°C] DB/67°F [19.5°C] WB Indoor Air 95°F [35°C] DB Outdoor Air							Outdoor Air 47°F [8.5°C] DB/ 43°F [6°C] WB DOE High Temp.		Outdoor Air 17°F [-8.5°C] DB/ 15°F [-9.5°C] WB DOE Low Temp.		DOE Region IV HSPF
Outdoor Unit 15PJL	Indoor Coil and/or Air Handler	Total Capacity BTU/H [kW]	Net Sens. BTU/H [kW]	Net Latent BTU/H [kW]	EER	SEER	Snd. Rate dB	Indoor CFM [L/s]	BTU/H [kW]	COP	BTU/H [kW]	COP	
Rev. 7/13/12	RCFL-H*3617(RGPE-07?AMK?)	35,800 [10.5]	26,500 [7.8]	9,300 [2.7]	11.50	14.00	75	1,225 [578]	35,000 [10.3]	3.56	22,600 [6.6]	2.46	8.20
	RCFL-H*3617(RGPT-07?AMK?)	35,600 [10.4]	26,100 [7.6]	9,500 [2.8]	11.50	14.00	75	1,175 [554]	35,000 [10.3]	3.56	22,600 [6.6]	2.46	8.20
	RCFL-H*3617(RGTM-06?MAE?)	35,400 [10.4]	25,350 [7.4]	10,050 [2.9]	12.00	14.50	75	1,075 [507]	34,800 [10.2]	3.66	22,400 [6.6]	2.52	8.20
	RCFL-H*3617(RHWB-04WMX36A)	35,600 [10.4]	25,700 [7.5]	9,900 [2.9]	12.00	14.50	75	1,150 [543]	35,200 [10.3]	3.66	23,000 [6.7]	2.56	8.20
	RCFL-H*3617(RHWB-06WMX48A)	35,600 [10.4]	25,700 [7.5]	9,900 [2.9]	11.50	14.00	75	1,150 [543]	35,400 [10.4]	3.62	23,200 [6.8]	2.54	8.20
	RCFL-H*3617(ROCA-070E03)	35,800 [10.5]	26,400 [7.7]	9,400 [2.8]	11.50	14.00	75	1,200 [566]	35,000 [10.3]	3.58	22,600 [6.6]	2.48	8.20
	RCFL-H*3617(ROCA-070E04)	35,800 [10.5]	26,400 [7.7]	9,400 [2.8]	11.50	14.00	75	1,200 [566]	35,000 [10.3]	3.58	22,600 [6.6]	2.48	8.20
	RCFL-H*3617(ROLA-070E03)	35,800 [10.5]	26,200 [7.7]	9,600 [2.8]	12.00	14.50	75	1,175 [554]	34,800 [10.2]	3.64	22,400 [6.6]	2.52	8.20
	RCFL-H*3617(ROLA-070E04)	35,800 [10.5]	26,200 [7.7]	9,600 [2.8]	12.00	14.50	75	1,175 [554]	34,800 [10.2]	3.64	22,400 [6.6]	2.52	8.20
	RCFL-H*3621	35,200 [10.3]	25,150 [7.4]	10,050 [2.9]	11.50	14.00	75	1,075 [507]	35,200 [10.3]	3.54	22,800 [6.7]	2.46	8.20
36	RCFL-H*3621(RGFE-09?ZCM?)	35,800 [10.5]	26,350 [7.7]	9,450 [2.8]	12.00	14.50	75	1,200 [566]	34,800 [10.2]	3.62	22,400 [6.6]	2.50	8.20
	RCFL-H*3621(RGFE-10?ZCM?)	36,000 [10.5]	26,700 [7.8]	9,300 [2.7]	11.50	14.00	75	1,225 [578]	35,000 [10.3]	3.60	22,600 [6.6]	2.48	8.20
	RCFL-H*3621(RGFG-09?ZCM?)	36,000 [10.5]	26,400 [7.7]	9,600 [2.8]	12.00	14.50	75	1,200 [566]	34,800 [10.2]	3.62	22,400 [6.6]	2.50	8.20
	RCFL-H*3621(RGFG-10?ZCM?)	35,600 [10.4]	26,200 [7.7]	9,400 [2.8]	11.50	14.00	75	1,200 [566]	34,800 [10.2]	3.56	22,600 [6.6]	2.50	8.20
	RCFL-H*3621(RGGE-06?MCK?)	35,800 [10.5]	26,400 [7.7]	9,400 [2.8]	11.50	14.00	75	1,200 [566]	35,000 [10.3]	3.56	22,600 [6.6]	2.46	8.20
	RCFL-H*3621(RGGE-09?ZCM?)	36,000 [10.5]	26,650 [7.8]	9,350 [2.7]	12.00	14.50	75	1,225 [578]	34,800 [10.2]	3.64	22,400 [6.6]	2.50	8.20
	RCFL-H*3621(RGGE-10?ZCM?)	35,800 [10.5]	26,350 [7.7]	9,450 [2.8]	12.00	14.50	75	1,200 [566]	34,800 [10.2]	3.62	22,400 [6.6]	2.50	8.20
	RCFL-H*3621(RGJF-06?MCK?)	35,800 [10.5]	26,400 [7.7]	9,400 [2.8]	11.50	14.00	75	1,200 [566]	35,000 [10.3]	3.56	22,600 [6.6]	2.46	8.20
	RCFL-H*3621(RGJF-09?ZCM?)	36,000 [10.5]	26,650 [7.8]	9,350 [2.7]	12.00	14.50	75	1,225 [578]	34,800 [10.2]	3.64	22,400 [6.6]	2.50	8.20
	RCFL-H*3621(RGJF-10?ZCM?)	35,800 [10.5]	26,350 [7.7]	9,450 [2.8]	12.00	14.50	75	1,200 [566]	34,800 [10.2]	3.62	22,400 [6.6]	2.50	8.20
	RCFL-H*3621(RGLE-07?AMK?)	35,800 [10.5]	26,350 [7.7]	9,450 [2.8]	11.50	14.00	75	1,200 [566]	34,800 [10.2]	3.60	22,400 [6.6]	2.50	8.20
	RCFL-H*3621(RGLE-07?BRQ?)	36,200 [10.6]	26,850 [7.9]	9,350 [2.7]	12.00	14.50	75	1,225 [578]	34,600 [10.1]	3.66	22,200 [6.5]	2.52	8.20
	RCFL-H*3621(RGLE-10?BRM?)	36,200 [10.6]	26,700 [7.8]	9,500 [2.8]	12.50	15.00	75	1,200 [566]	34,600 [10.1]	3.70	22,200 [6.5]	2.54	8.50
	RCFL-H*3621(RGLT-07?AMK?)	35,800 [10.5]	26,000 [7.6]	9,800 [2.9]	12.00	14.50	75	1,150 [543]	34,000 [10.0]	3.62	21,800 [6.4]	2.48	8.20
	RCFL-H*3621(RGLT-07?BRQ?)	36,200 [10.6]	26,700 [7.8]	9,500 [2.8]	12.00	14.50	75	1,200 [566]	34,600 [10.1]	3.66	22,200 [6.5]	2.52	8.20
	RCFL-H*3621(RGLT-10?BRM?)	36,000 [10.5]	26,400 [7.7]	9,600 [2.8]	12.50	15.00	75	1,175 [554]	34,600 [10.1]	3.66	22,200 [6.5]	2.54	8.50
RCFL-H*3621(RGPE-05?BMK?)	35,800 [10.5]	26,400 [7.7]	9,400 [2.8]	11.50	14.00	75	1,200 [566]	35,000 [10.3]	3.56	22,600 [6.6]	2.46	8.20	

① Highest sales volume tested combination required by D.O.E. test procedures.

[] Designates Metric Conversions

Performance Data AHRI Standard Conditions—15PJL (cont.)

Model Numbers		AHRI Cooling Performance							AHRI Heating Performance (70°F [21°C] Indoor)					
		80°F [26.5°C] DB/67°F [19.5°C] WB Indoor Air 95°F [35°C] DB Outdoor Air							Outdoor Air 47°F [8.5°C] DB/ 43°F [6°C] WB DOE High Temp.		Outdoor Air 17°F [-8.5°C] DB/ 15°F [-9.5°C] WB DOE Low Temp.		DOE Region IV HSPF	
Outdoor Unit 15PJL	Indoor Coil and/or Air Handler	Total Capacity BTU/H [kW]	Net Sens. BTU/H [kW]	Net Latent BTU/H [kW]	EER	SEER	Snd. Rate dB	Indoor CFM [L/s]	BTU/H [kW]	COP	BTU/H [kW]	COP		
Rev. 7/13/12	RCFL-H*3621(RGPE-07?AMK?)	35,800 [10.5]	26,500 [7.8]	9,300 [2.7]	11.50	14.00	75	1,225 [578]	35,000 [10.3]	3.58	22,600 [6.6]	2.48	8.20	
	RCFL-H*3621(RGPE-07?BRQ?)	36,200 [10.6]	26,800 [7.9]	9,400 [2.8]	12.50	15.00	75	1,225 [578]	34,600 [10.1]	3.66	22,200 [6.5]	2.54	8.50	
	RCFL-H*3621(RGPE-10?BRM?)	36,200 [10.6]	26,800 [7.9]	9,400 [2.8]	12.50	15.00	75	1,225 [578]	34,600 [10.1]	3.68	22,200 [6.5]	2.54	8.50	
	RCFL-H*3621(RGPT-07?AMK?)	35,800 [10.5]	26,400 [7.7]	9,400 [2.8]	11.50	14.00	75	1,200 [566]	35,000 [10.3]	3.56	22,600 [6.6]	2.46	8.20	
	RCFL-H*3621(RGPT-10?BRM?)	36,000 [10.5]	26,350 [7.7]	9,650 [2.8]	12.50	15.00	75	1,175 [554]	34,600 [10.1]	3.68	22,200 [6.5]	2.54	8.50	
	RCFL-H*3621(RGRM-09?ZAJ?)	36,000 [10.5]	26,700 [7.8]	9,300 [2.7]	11.50	14.00	75	1,225 [578]	35,000 [10.3]	3.58	22,600 [6.6]	2.48	8.20	
	RCFL-H*3621(RGRM-10?ZAJ?)	35,600 [10.4]	25,950 [7.6]	9,650 [2.8]	11.50	14.00	75	1,150 [543]	34,800 [10.2]	3.60	22,400 [6.6]	2.50	8.20	
	RCFL-H*3621(RGTM-06?MAE?)	35,400 [10.4]	25,350 [7.4]	10,050 [2.9]	12.00	14.50	75	1,075 [507]	34,600 [10.1]	3.66	22,200 [6.5]	2.52	8.20	
	RCFL-H*3621(RGTM-07?RBG?)	35,800 [10.5]	25,950 [7.6]	9,850 [2.9]	12.50	15.00	75	1,125 [531]	34,600 [10.1]	3.68	22,200 [6.5]	2.54	8.50	
	36	RCFL-H*3621(RGTM-09?ZAJ?)	35,400 [10.4]	25,350 [7.4]	10,050 [2.9]	12.50	15.00	75	1,100 [519]	34,600 [10.1]	3.70	22,200 [6.5]	2.56	8.50
		RCFL-H*3621(RHWB-04WMX36A)	35,600 [10.4]	25,700 [7.5]	9,900 [2.9]	12.00	14.50	75	1,150 [543]	35,200 [10.3]	3.66	23,000 [6.7]	2.56	8.20
		RCFL-H*3621(RHWB-06WMX48A)	35,800 [10.5]	26,000 [7.6]	9,800 [2.9]	12.00	14.50	75	1,175 [554]	35,400 [10.4]	3.64	23,200 [6.8]	2.54	8.20
		RCFL-H*3621(ROCA-070E03)	35,800 [10.5]	26,400 [7.7]	9,400 [2.8]	11.50	14.00	75	1,200 [566]	34,800 [10.2]	3.60	22,400 [6.6]	2.48	8.20
		RCFL-H*3621(ROCA-070E04)	35,800 [10.5]	26,400 [7.7]	9,400 [2.8]	11.50	14.00	75	1,200 [566]	34,800 [10.2]	3.60	22,400 [6.6]	2.48	8.20
		RCFL-H*3621(ROLA-070E03)	35,800 [10.5]	26,200 [7.7]	9,600 [2.8]	12.00	14.50	75	1,175 [554]	34,600 [10.1]	3.66	22,200 [6.5]	2.52	8.20
		RCFL-H*3621(ROLA-070E04)	35,800 [10.5]	26,200 [7.7]	9,600 [2.8]	12.00	14.50	75	1,175 [554]	34,600 [10.1]	3.66	22,200 [6.5]	2.52	8.20
		RCFL-H*3621(ROLA-115E05)	36,000 [10.5]	26,500 [7.8]	9,500 [2.8]	12.00	14.50	75	1,200 [566]	34,600 [10.1]	3.66	22,200 [6.5]	2.54	8.20
		RHKL-HM3617(RCSL-H*3617)	35,400 [10.4]	25,100 [7.4]	10,300 [3.0]	12.50	15.00	75	1,025 [484]	34,400 [10.1]	3.74	22,000 [6.4]	2.58	8.50
		RHSL-HM3617(RCSL-H*3617)	35,000 [10.3]	25,050 [7.3]	9,950 [2.9]	11.50	13.50	75	1,100 [519]	35,200 [10.3]	3.52	22,800 [6.7]	2.44	7.70
42	RHLL-HM4821(RCSL-H*4821) ①	40,000 [11.7]	28,650 [8.4]	11,350 [3.3]	12.50	15.00	77	1,350 [637]	37,400 [11.0]	3.72	24,200 [7.1]	2.60	8.50	
	RCFL-H*4821	39,500 [11.6]	28,150 [8.2]	11,350 [3.3]	11.50	13.50	77	1,350 [637]	38,000 [11.1]	3.50	25,000 [7.3]	2.46	7.70	
	RCFL-H*4821(RGFE-09?ZCM?)	39,500 [11.6]	28,650 [8.4]	10,850 [3.2]	11.50	13.50	77	1,400 [661]	38,000 [11.1]	3.56	24,800 [7.3]	2.48	7.70	
	RCFL-H*4821(RGFG-09?ZCM?)	39,500 [11.6]	28,600 [8.4]	10,900 [3.2]	11.50	13.50	77	1,400 [661]	38,000 [11.1]	3.56	24,800 [7.3]	2.48	8.20	
	RCFL-H*4821(RGFG-10?ZCM?)	39,000 [11.4]	26,800 [7.9]	12,200 [3.6]	11.50	14.00	77	1,200 [566]	37,600 [11.0]	3.68	24,400 [7.1]	2.54	8.20	
	RCFL-H*4821(RGGE-09?ZCM?)	39,500 [11.6]	28,650 [8.4]	10,850 [3.2]	11.50	14.00	77	1,400 [661]	38,000 [11.1]	3.58	24,800 [7.3]	2.52	8.20	
	RCFL-H*4821(RGGE-10?ZCM?)	39,500 [11.6]	28,650 [8.4]	10,850 [3.2]	11.50	13.50	77	1,400 [661]	38,000 [11.1]	3.56	24,800 [7.3]	2.50	8.20	
	RCFL-H*4821(RGJF-09?ZCM?)	39,500 [11.6]	28,600 [8.4]	10,900 [3.2]	11.50	14.00	77	1,400 [661]	37,800 [11.1]	3.58	24,600 [7.2]	2.52	8.20	

① Highest sales volume tested combination required by D.O.E. test procedures.

[] Designates Metric Conversions

Performance Data AHRI Standard Conditions—15PJL (cont.)

Model Numbers		AHRI Cooling Performance							AHRI Heating Performance (70°F [21°C] Indoor)				
		80°F [26.5°C] DB/67°F [19.5°C] WB Indoor Air 95°F [35°C] DB Outdoor Air							Outdoor Air 47°F [8.5°C] DB/ 43°F [6°C] WB DOE High Temp.		Outdoor Air 17°F [-8.5°C] DB/ 15°F [-9.5°C] WB DOE Low Temp.		DOE Region IV HSPF
Outdoor Unit 15PJL	Indoor Coil and/or Air Handler	Total Capacity BTU/H [kW]	Net Sens. BTU/H [kW]	Net Latent BTU/H [kW]	EER	SEER	Snd. Rate dB	Indoor CFM [L/s]	BTU/H [kW]	COP	BTU/H [kW]	COP	
Rev. 7/13/12	RCFL-H*4821(RGJF-10?ZCM?)	39,500 [11.6]	28,650 [8.4]	10,850 [3.2]	11.50	13.50	77	1,400 [661]	38,000 [11.1]	3.56	24,800 [7.3]	2.50	8.50
	RCFL-H*4821(RGLE-07?BRQ?)	39,500 [11.6]	28,600 [8.4]	10,900 [3.2]	11.50	14.00	77	1,400 [661]	37,800 [11.1]	3.62	24,600 [7.2]	2.54	8.20
	RCFL-H*4821(RGLE-10?BRM?)	40,000 [11.7]	29,050 [8.5]	10,950 [3.2]	12.00	14.50	77	1,400 [661]	37,600 [11.0]	3.66	24,400 [7.1]	2.56	8.20
	RCFL-H*4821(RGLT-07?AMK?)	39,000 [11.4]	27,900 [8.2]	11,100 [3.3]	11.50	13.50	77	1,350 [637]	38,000 [11.1]	3.56	24,800 [7.3]	2.50	8.20
	RCFL-H*4821(RGLT-07?BRQ?)	40,000 [11.7]	29,200 [8.6]	10,800 [3.2]	12.00	14.00	77	1,450 [684]	37,000 [10.8]	3.52	23,800 [7.0]	2.44	8.20
	RCFL-H*4821(RGLT-10?BRM?)	40,000 [11.7]	29,000 [8.5]	11,000 [3.2]	12.00	14.00	77	1,425 [672]	37,000 [10.8]	3.54	23,800 [7.0]	2.44	8.20
	RCFL-H*4821(RGPE-07?BRQ?)	39,500 [11.6]	28,550 [8.4]	10,950 [3.2]	12.00	14.50	77	1,400 [661]	37,600 [11.0]	3.64	24,400 [7.1]	2.54	8.20
	RCFL-H*4821(RGPE-10?BRM?)	39,500 [11.6]	28,550 [8.4]	10,950 [3.2]	12.00	14.50	77	1,400 [661]	37,600 [11.0]	3.64	24,600 [7.2]	2.54	8.20
	RCFL-H*4821(RGPT-07?AMK?)	39,000 [11.4]	27,900 [8.2]	11,100 [3.3]	11.50	13.50	77	1,350 [637]	38,000 [11.1]	3.54	25,000 [7.3]	2.48	8.20
	RCFL-H*4821(RGPT-07?BRQ?)	40,000 [11.7]	29,200 [8.6]	10,800 [3.2]	12.00	14.50	77	1,450 [684]	37,000 [10.8]	3.54	23,800 [7.0]	2.44	8.20
	RCFL-H*4821(RGPT-10?BRM?)	40,000 [11.7]	29,000 [8.5]	11,000 [3.2]	12.00	14.50	77	1,425 [672]	37,000 [10.8]	3.54	23,800 [7.0]	2.44	8.20
	RCFL-H*4821(RGTM-07?RBG?)	39,500 [11.6]	28,300 [8.3]	11,200 [3.3]	12.00	14.50	77	1,325 [625]	37,600 [11.0]	3.64	24,400 [7.1]	2.56	8.20
	RCFL-H*4821(RGTM-09?ZAJ?)	39,500 [11.6]	28,600 [8.4]	10,900 [3.2]	11.50	14.00	77	1,400 [661]	38,000 [11.1]	3.58	24,800 [7.3]	2.52	8.20
	RCFL-H*4821(RHWB-04WMX36A)	39,500 [11.6]	28,000 [8.2]	11,400 [3.3]	11.50	14.00	77	1,325 [625]	37,200 [10.9]	3.48	24,000 [7.0]	2.42	8.20
	RCFL-H*4821(RHWB-06WMX48A)	39,000 [11.4]	27,800 [8.1]	11,400 [3.3]	11.50	14.00	77	1,325 [625]	37,200 [10.9]	3.44	24,000 [7.0]	2.42	8.20
	RCFL-H*4821(ROLA-070E04)	39,500 [11.6]	28,300 [8.3]	11,200 [3.3]	11.50	14.00	77	1,375 [649]	37,800 [11.1]	3.62	24,600 [7.2]	2.54	8.20
	RCFL-H*4821(ROLA-115E05)	39,500 [11.6]	28,600 [8.4]	10,900 [3.2]	11.50	14.00	77	1,400 [661]	37,800 [11.1]	3.62	24,600 [7.2]	2.54	8.20
	RCFL-H*4824	39,500 [11.6]	28,150 [8.2]	11,350 [3.3]	11.50	13.50	77	1,350 [637]	38,000 [11.1]	3.50	25,000 [7.3]	2.46	7.70
	RCFL-H*4824(RGFE-09?ZCM?)	39,500 [11.6]	28,650 [8.4]	10,850 [3.2]	11.50	13.50	77	1,400 [661]	38,000 [11.1]	3.54	24,800 [7.3]	2.48	7.70
	RCFL-H*4824(RGFE-12?RCM?)	39,500 [11.6]	28,900 [8.5]	10,600 [3.1]	11.50	14.00	77	1,450 [684]	38,000 [11.1]	3.58	24,800 [7.3]	2.52	8.20
RCFL-H*4824(RGFG-09?ZCM?)	39,500 [11.6]	28,400 [8.3]	11,100 [3.3]	11.50	13.50	77	1,400 [661]	38,000 [11.1]	3.54	24,800 [7.3]	2.48	8.20	
RCFL-H*4824(RGFG-10?ZCM?)	39,000 [11.4]	26,800 [7.9]	12,200 [3.6]	11.50	14.00	77	1,200 [566]	37,600 [11.0]	3.68	24,400 [7.1]	2.54	8.20	
RCFL-H*4824(RGFG-12?RCM?)	39,000 [11.4]	27,200 [8.0]	11,800 [3.5]	12.00	14.50	77	1,225 [578]	37,400 [11.0]	3.70	24,200 [7.1]	2.58	8.20	
RCFL-H*4824(RGGE-09?ZCM?)	39,500 [11.6]	28,650 [8.4]	10,850 [3.2]	11.50	14.00	77	1,400 [661]	38,000 [11.1]	3.58	24,800 [7.3]	2.52	8.20	
RCFL-H*4824(RGGE-10?ZCM?)	39,500 [11.6]	28,650 [8.4]	10,850 [3.2]	11.50	13.50	77	1,400 [661]	38,000 [11.1]	3.56	24,800 [7.3]	2.50	7.70	
RCFL-H*4824(RGGE-12?RCM?)	39,500 [11.6]	28,300 [8.3]	11,200 [3.3]	11.50	14.00	77	1,375 [649]	37,600 [11.0]	3.64	24,400 [7.1]	2.54	8.20	

① Highest sales volume tested combination required by D.O.E. test procedures.

[] Designates Metric Conversions

Performance Data AHRI Standard Conditions—15PJL (cont.)

Model Numbers		AHRI Cooling Performance							AHRI Heating Performance (70°F [21°C] Indoor)				
		80°F [26.5°C] DB/67°F [19.5°C] WB Indoor Air 95°F [35°C] DB Outdoor Air							Outdoor Air 47°F [8.5°C] DB/ 43°F [6°C] WB DOE High Temp.		Outdoor Air 17°F [-8.5°C] DB/ 15°F [-9.5°C] WB DOE Low Temp.		DOE Region IV HSPF
Outdoor Unit 15PJL	Indoor Coil and/or Air Handler	Total Capacity BTU/H [kW]	Net Sens. BTU/H [kW]	Net Latent BTU/H [kW]	EER	SEER	Snd. Rate dB	Indoor CFM [L/s]	BTU/H [kW]	COP	BTU/H [kW]	COP	
Rev. 7/13/12	RCFL-H*4824(RGJF-09?ZCM?)	39,500 [11.6]	28,600 [8.4]	10,900 [3.2]	11.50	14.00	77	1,400 [661]	37,800 [11.1]	3.58	24,600 [7.2]	2.52	8.20
	RCFL-H*4824(RGJF-10?ZCM?)	39,500 [11.6]	28,650 [8.4]	10,850 [3.2]	11.50	13.50	77	1,400 [661]	38,000 [11.1]	3.56	24,800 [7.3]	2.50	7.70
42	RCFL-H*4824(RGJF-12?RCM?)	39,500 [11.6]	28,300 [8.3]	11,200 [3.3]	12.00	14.50	77	1,375 [649]	37,600 [11.0]	3.64	24,400 [7.1]	2.56	8.20
	RCFL-H*4824(RGLE-07?BRQ?)	39,500 [11.6]	28,600 [8.4]	10,900 [3.2]	11.50	14.00	77	1,400 [661]	37,800 [11.1]	3.62	24,600 [7.2]	2.54	8.20
	RCFL-H*4824(RGLE-10?BRM?)	40,000 [11.7]	29,050 [8.5]	10,950 [3.2]	12.00	14.50	77	1,400 [661]	37,600 [11.0]	3.66	24,400 [7.1]	2.56	8.20
	RCFL-H*4824(RGLE-12?ARM?)	40,000 [11.7]	29,150 [8.5]	10,850 [3.2]	12.00	14.50	77	1,425 [672]	37,600 [11.0]	3.66	24,400 [7.1]	2.56	8.20
	RCFL-H*4824(RGLT-07?BRQ?)	40,000 [11.7]	29,200 [8.6]	10,800 [3.2]	12.00	14.00	77	1,450 [684]	37,000 [10.8]	3.52	23,800 [7.0]	2.44	8.20
	RCFL-H*4824(RGLT-10?BRM?)	40,000 [11.7]	29,000 [8.5]	11,000 [3.2]	12.00	14.00	77	1,425 [672]	37,000 [10.8]	3.54	23,800 [7.0]	2.44	8.20
	RCFL-H*4824(RGLT-12?ARM?)	39,500 [11.6]	28,250 [8.3]	11,250 [3.3]	12.00	14.50	77	1,375 [649]	37,600 [11.0]	3.66	24,400 [7.1]	2.56	8.20
	RCFL-H*4824(RGPE-07?BRQ?)	39,500 [11.6]	28,550 [8.4]	10,950 [3.2]	11.50	14.00	77	1,400 [661]	37,800 [11.1]	3.64	24,600 [7.2]	2.54	8.20
	RCFL-H*4824(RGPE-10?BRM?)	39,500 [11.6]	28,550 [8.4]	10,950 [3.2]	11.50	14.00	77	1,400 [661]	37,800 [11.1]	3.64	24,600 [7.2]	2.54	8.20
	RCFL-H*4824(RGPE-12?ARM?)	40,000 [11.7]	29,150 [8.5]	10,850 [3.2]	12.00	14.50	77	1,425 [672]	37,600 [11.0]	3.66	24,400 [7.1]	2.56	8.20
	RCFL-H*4824(RGPT-07?BRQ?)	40,000 [11.7]	29,000 [8.5]	11,000 [3.2]	12.00	14.00	77	1,425 [672]	37,000 [10.8]	3.54	23,800 [7.0]	2.44	8.20
	RCFL-H*4824(RGPT-10?BRM?)	40,000 [11.7]	29,000 [8.5]	11,000 [3.2]	12.20	14.00	77	1,425 [672]	37,000 [10.8]	3.54	23,800 [7.0]	2.44	8.20
	RCFL-H*4824(RGPT-12?ARM?)	39,500 [11.6]	28,250 [8.3]	11,250 [3.3]	12.00	14.50	77	1,375 [649]	37,600 [11.0]	3.68	24,400 [7.1]	2.58	8.20
	RCFL-H*4824(RGRM-12?RAJ?)	39,500 [11.6]	28,750 [8.4]	10,750 [3.1]	11.50	14.00	77	1,425 [672]	38,000 [11.1]	3.56	24,800 [7.3]	2.50	8.20
	RCFL-H*4824(RGTM-07?RBG?)	39,500 [11.6]	28,300 [8.3]	11,200 [3.3]	12.00	14.50	77	1,325 [625]	37,600 [11.0]	3.64	24,400 [7.1]	2.56	8.20
	RCFL-H*4824(RGTM-09?ZAJ?)	39,500 [11.6]	28,650 [8.4]	10,850 [3.2]	11.50	14.00	77	1,400 [661]	38,000 [11.1]	3.58	24,800 [7.3]	2.50	8.20
	RCFL-H*4824(RGTM-10?RBG?)	39,500 [11.6]	28,700 [8.4]	10,800 [3.2]	11.50	14.00	77	1,425 [672]	37,800 [11.1]	3.62	24,600 [7.2]	2.52	8.20
	RCFL-H*4824(RGTM-10?RBJ?)	39,000 [11.4]	27,400 [8.0]	11,600 [3.4]	12.00	14.50	77	1,275 [602]	37,600 [11.0]	3.68	24,400 [7.1]	2.58	8.20
	RCFL-H*4824(RHWB-08WRX60A)	40,000 [11.7]	28,400 [8.3]	11,400 [3.3]	12.00	14.50	77	1,350 [637]	36,800 [10.8]	3.60	23,400 [6.9]	2.48	8.20
	RCFL-H*4824(RHWB-10WRX60A)	40,000 [11.7]	28,800 [8.4]	11,100 [3.3]	12.00	14.50	77	1,400 [661]	36,800 [10.8]	3.62	23,400 [6.9]	2.48	8.20
	RCFL-H*4824(ROLA-070E04)	39,500 [11.6]	28,350 [8.3]	11,150 [3.3]	11.50	14.00	77	1,375 [649]	37,800 [11.1]	3.62	24,600 [7.2]	2.54	8.20
	RCFL-H*4824(ROLA-115E05)	39,500 [11.6]	28,600 [8.4]	10,900 [3.2]	11.50	14.00	77	1,400 [661]	37,800 [11.1]	3.62	24,600 [7.2]	2.52	8.20
	RHKL-HM4821(RCSL-H*4821)	40,000 [11.7]	29,000 [8.5]	11,000 [3.2]	12.50	15.00	77	1,460 [689]	37,600 [11.0]	3.68	24,400 [7.1]	2.58	8.50
	RHSL-HM4221(RCSL-H*4821)	39,000 [11.4]	27,950 [8.2]	11,050 [3.2]	11.50	13.50	77	1,350 [637]	38,500 [11.3]	3.48	25,200 [7.4]	2.46	7.70

① Highest sales volume tested combination required by D.O.E. test procedures.

[] Designates Metric Conversions

Performance Data AHRI Standard Conditions—15PJL

Model Numbers		AHRI Cooling Performance							AHRI Heating Performance (70°F [21°C] Indoor)				
		80°F [26.5°C] DB/67°F [19.5°C] WB Indoor Air 95°F [35°C] DB Outdoor Air							Outdoor Air 47°F [8.5°C] DB/ 43°F [6°C] WB DOE High Temp.		Outdoor Air 17°F [-8.5°C] DB/ 15°F [-9.5°C] WB DOE Low Temp.		DOE Region IV HSPF
Outdoor Unit 15PJL	Indoor Coil and/or Air Handler	Total Capacity BTU/H [kW]	Net Sens. BTU/H [kW]	Net Latent BTU/H [kW]	EER	SEER	Snd. Rate dB	Indoor CFM [L/s]	BTU/H [kW]	COP	BTU/H [kW]	COP	
Rev. 7/13/12	RHLL-HM6024(RCSL-H*6024) ①	52,000 [15.2]	37,300 [10.9]	14,700 [4.3]	12.50	15.00	77	1,575 [743]	50,500 [14.8]	3.84	31,400 [9.2]	2.62	8.50
	RCFL-H*6024	51,500 [15.1]	36,800 [10.8]	14,700 [4.3]	12.00	14.50	77	1,575 [743]	51,500 [15.1]	3.70	32,200 [9.4]	2.52	8.20
	RCFL-H*6024(RGGE-12?RCM?)	51,500 [15.1]	36,900 [10.8]	14,600 [4.3]	12.00	14.50	77	1,575 [743]	51,000 [14.9]	3.78	31,800 [9.3]	2.56	8.20
	RCFL-H*6024(RGJF-12?RCM?)	51,500 [15.1]	36,900 [10.8]	14,600 [4.3]	12.00	14.50	77	1,575 [743]	51,000 [14.9]	3.78	31,800 [9.3]	2.56	8.20
	RCFL-H*6024(RGLE-07?BRQ?)	51,500 [15.1]	36,950 [10.8]	14,550 [4.3]	12.00	14.50	77	1,600 [755]	51,000 [14.9]	3.76	32,000 [9.4]	2.54	8.20
	RCFL-H*6024(RGLE-10?BRM?)	52,000 [15.2]	37,350 [10.9]	14,650 [4.3]	12.00	14.50	77	1,600 [755]	51,000 [14.9]	3.80	31,800 [9.3]	2.58	8.20
	RCFL-H*6024(RGLE-12?ARM?)	52,000 [15.2]	37,350 [10.9]	14,650 [4.3]	12.00	14.50	77	1,600 [755]	51,000 [14.9]	3.80	31,800 [9.3]	2.58	8.20
	RCFL-H*6024(RGLT-12?ARM?)	52,500 [15.4]	38,800 [11.4]	13,700 [4.0]	12.00	14.50	77	1,700 [802]	51,000 [14.9]	3.74	32,000 [9.4]	2.54	8.20
	RCFL-H*6024(RGPE-07?BRQ?)	51,500 [15.1]	36,900 [10.8]	14,600 [4.3]	12.00	14.50	77	1,600 [755]	51,000 [14.9]	3.76	31,800 [9.3]	2.56	8.20
	RCFL-H*6024(RGPE-10?BRM?)	52,000 [15.2]	37,750 [11.1]	14,250 [4.2]	12.00	14.50	77	1,625 [767]	51,000 [14.9]	3.76	31,800 [9.3]	2.56	8.20
	RCFL-H*6024(RGPE-12?ARM?)	52,000 [15.2]	37,700 [11.0]	14,300 [4.2]	12.00	14.50	77	1,625 [767]	51,000 [14.9]	3.78	31,800 [9.3]	2.58	8.20
	RCFL-H*6024(RGPT-10?BRM?)	52,000 [15.2]	38,350 [11.2]	13,650 [4.0]	12.00	14.50	77	1,700 [802]	51,000 [14.9]	3.72	32,200 [9.4]	2.52	8.20
	RCFL-H*6024(RGPT-12?ARM?)	52,500 [15.4]	38,800 [11.4]	13,700 [4.0]	12.00	14.50	77	1,700 [802]	51,000 [14.9]	3.74	32,000 [9.4]	2.54	8.20
	RCFL-H*6024(RGTM-07?RBG?)	51,000 [14.9]	35,700 [10.5]	15,300 [4.5]	12.00	14.50	77	1,475 [696]	51,000 [14.9]	3.80	31,800 [9.3]	2.58	8.20
	RCFL-H*6024(RGTM-09?ZAJ?)	51,500 [15.1]	36,950 [10.8]	14,550 [4.3]	12.00	14.50	77	1,550 [731]	51,000 [14.9]	3.74	32,000 [9.4]	2.54	8.20
	RCFL-H*6024(RHWB-08WRX60A)	52,000 [15.2]	37,900 [11.1]	14,100 [4.1]	12.00	14.50	77	1,650 [779]	49,500 [14.5]	3.62	30,600 [9.0]	2.44	8.20
	RCFL-H*6024(RHWB-10WRX60A)	52,500 [15.4]	38,700 [11.3]	13,800 [4.0]	12.00	14.50	77	1,700 [802]	49,500 [14.5]	3.64	30,600 [9.0]	2.44	8.20
	RHKL-HM6024(RCSL-H*6024)	52,500 [15.4]	37,700 [11.0]	14,800 [4.3]	12.50	15.00	77	1,600 [755]	50,500 [14.8]	3.92	31,200 [9.1]	2.64	8.50
	RHSL-HM6024(RCSL-H*6024)	51,500 [15.1]	38,400 [11.3]	13,100 [3.8]	11.50	13.50	77	1,750 [826]	52,000 [15.2]	3.56	33,000 [9.7]	2.42	7.70

① Highest sales volume tested combination required by D.O.E. test procedures.

[] Designates Metric Conversions



Air

Electrical and Physical Data

Model Number 15PJL	ELECTRICAL							PHYSICAL					
	Phase Frequency (Hz) Voltage (Volts)	Compressor		Fan Motor Full Load Amperes (FLA)	Minimum Circuit Capacity Amperes	Fuse or HACR Circuit Breaker		Outdoor Coil			Refrig. Per Circuit Oz. [g]	Weight	
		Rated Load Amperes (RLA)	Locked Rotor Amperes (LRA)			Minimum Amperes	Maximum Amperes	Face Area Sq. Ft. [m ²]	No. Rows	CFM [L/s]		Net Lbs. [kg]	Shipping Lbs. [kg]
Rev. 7/13/12													
18	1-60-208/230	9/9	48	0.8	13/13	15/15	20/20	13.72 [1.27]	1	2590 [1222]	95.6 [2710]	154 [69.9]	164 [69.9]
24	1-60-208/230	13.5/13.5	58.3	0.8	18/18	25/25	30/30	13.72 [1.27]	1	2590 [1222]	94.2 [2671]	155 [70.3]	165 [70.3]
30	1-60-208/230	12.8/12.8	64	1	18/18	25/25	25/25	16.39 [1.52]	1	2595 [1225]	114.5 [3246]	169 [76.7]	181 [76.7]
36	1-60-208/230	16.7/16.7	79	1.4	23/23	30/30	35/35	21.85 [2.03]	1	3000 [1416]	138 [3912]	193 [87.5]	207 [87.5]
42	1-60-208/230	17.9/17.9	112	1.9	25/25	30/30	40/40	21.85 [2.03]	1	3575 [1687]	146.5 [4153]	210 [95.3]	224 [95.3]
48	1-60-208/230	19.9/19.9	109	1	26/26	35/35	45/45	21.85 [2.03]	1	3575 [1687]	229.2 [6498]	210 [95.3]	224 [95.3]
60	1-60-208/230	21.4/21.4	135	2.8	30/30	35/35	50/50	21.85 [2.03]	2	3925 [1852]	279 [7910]	264 [119.8]	278 [119.8]

NOTE: Factory Refrigerant Charge includes refrigerant for 15 feet of standard line set.

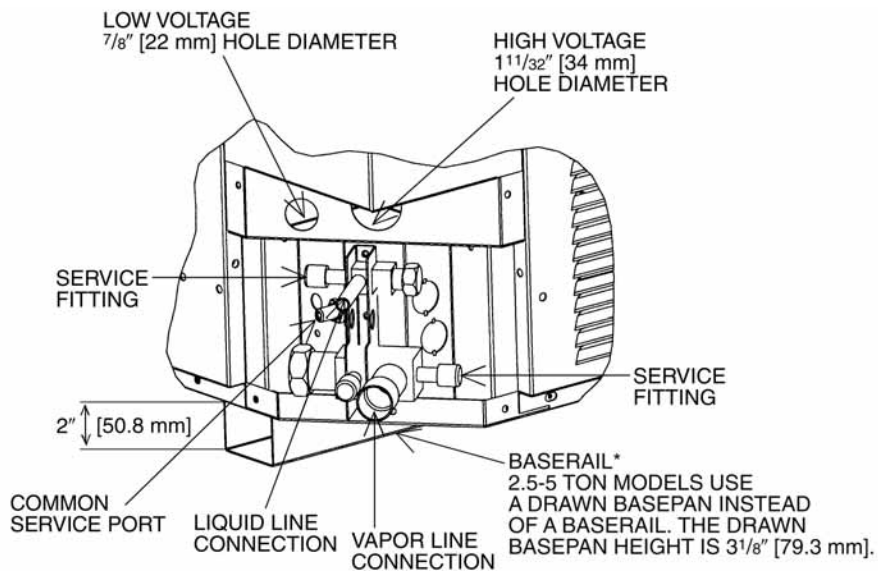
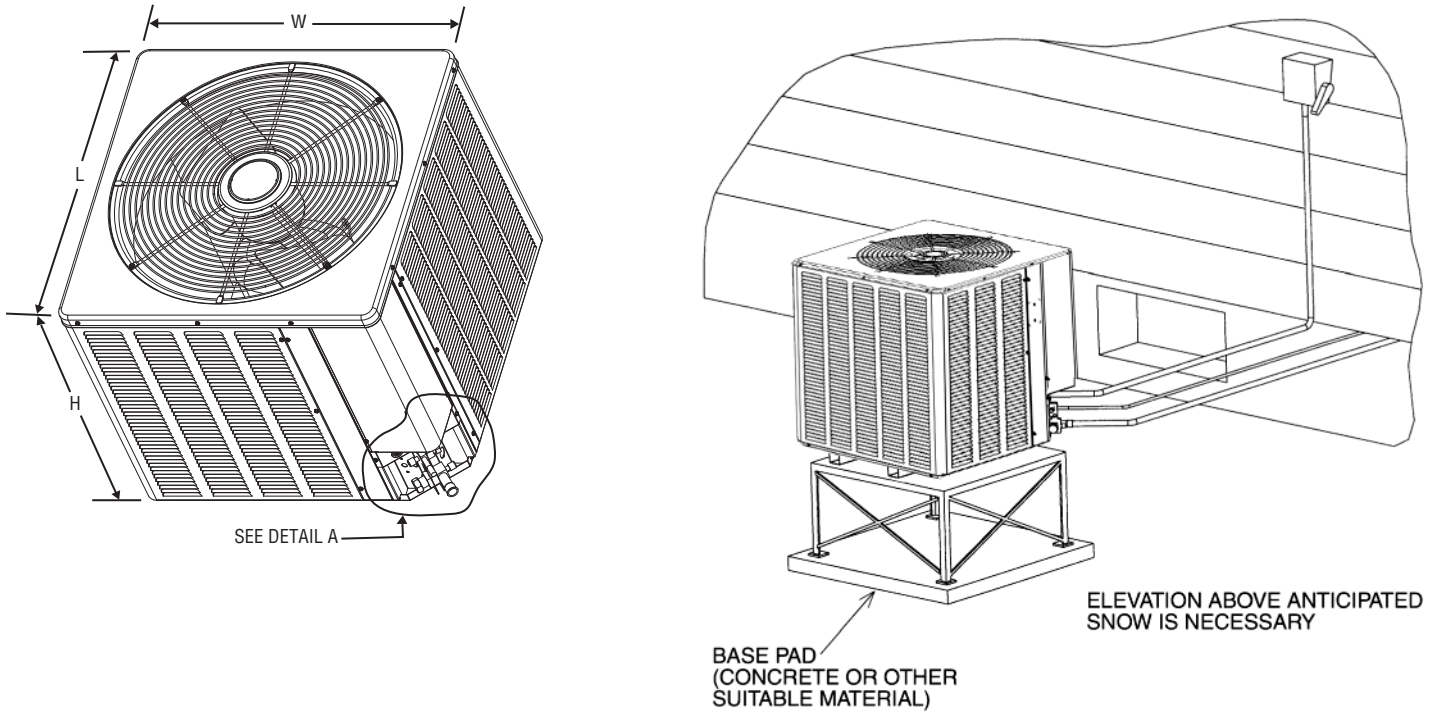
[] Designates Metric Conversions

Unit Dimensions

15 SEER Cooling Capacity	18, 24	30	36, 42, 48, 60
Height "H" (In.) [mm]*	26 ¹ / ₄ [666.7]	27 ³ / ₈ [695.3]	35 ³ / ₈ [898.5]
Length "L" (In.) [mm]	27 ⁵ / ₈ [701.6]	31 ⁵ / ₈ [803.2]	31 ⁵ / ₈ [803.2]
Width "W" (In.) [mm]	27 ⁵ / ₈ [701.6]	31 ⁵ / ₈ [803.2]	31 ⁵ / ₈ [803.2]

*Height dimension includes baserails and/or basepans.

[] Designates Metric Conversions



DETAIL A

Heat Pump Refrigerant Line Size Information

R-410A System Capacity Model	Line Connection Size (Inch I.D.) [mm]	Line Size (Inch O.D.) [mm]	Liquid Line Size Outdoor Unit Above or Below Indoor Coil (Heat Pump Only)					
			Total Equivalent Length—Feet [m]					
			25 [7.62]	50 [15.24]	75 [22.86]	100 [30.48]	125 [38.10]	150 [45.72]
			Maximum Vertical Separation—Feet [m]					
1 1/2 Ton	3/8" [9.53]	1/4" [6.35]*	25 [7.62]	16 [4.88]	N/A	N/A	N/A	N/A
		5/16" [7.93]	25 [7.62]	40 [12.19]	36 [10.97]	32 [9.75]	28 [8.53]	23 [7.01]
		3/8" [9.52]*	25 [7.62]	45 [13.72]	44 [13.41]	42 [12.80]	41 [12.50]	39 [11.89]
2 Ton	3/8" [9.53]	1/4" [6.35]*	25 [7.62]	22 [6.71]	N/A	N/A	N/A	N/A
		5/16" [7.93]	25 [7.62]	50 [15.24]	52 [15.85]	46 [14.02]	40 [12.19]	33 [10.06]
		3/8" [9.52]*	25 [7.62]	50 [15.24]	64 [19.51]	62 [18.90]	60 [18.29]	58 [17.68]
2 1/2 Ton	3/8" [9.53]	1/4" [6.35]*	14 [4.27]	N/A	N/A	N/A	N/A	N/A
		5/16" [7.93]	25 [7.62]	32 [9.75]	23 [7.01]	14 [4.27]	N/A	N/A
		3/8" [9.52]*	25 [7.62]	44 [13.41]	41 [12.50]	38 [11.58]	35 [10.67]	32 [9.75]
3 Ton	3/8" [9.53]	5/16" [7.93]	25 [7.62]	50 [15.24]	43 [13.11]	30 [9.14]	16 [4.88]	N/A
		3/8" [9.52]*	25 [7.62]	50 [15.24]	69 [21.03]	65 [19.81]	60 [18.29]	55 [16.76]
		1/2" [12.70]	25 [7.62]	50 [15.24]	75 [22.86]	79 [24.08]	78 [23.77]	78 [23.77]
3 1/2 Ton	3/8" [9.53]	5/16" [7.93]	25 [7.62]	37 [11.28]	19 [5.79]	N/A	N/A	N/A
		3/8" [9.52]*	25 [7.62]	50 [15.24]	53 [16.15]	47 [14.33]	41 [12.50]	36 [10.97]
		1/2" [12.70]	25 [7.62]	50 [15.24]	68 [20.73]	66 [20.12]	65 [19.81]	64 [19.51]
4 Ton	3/8" [9.53]	5/16" [7.93]	22 [6.71]	N/A	N/A	N/A	N/A	N/A
		3/8" [9.52]*	25 [7.62]	30 [9.14]	22 [6.71]	13 [3.96]	N/A	N/A
		1/2" [12.70]	25 [7.62]	44 [13.41]	43 [13.11]	41 [12.50]	39 [11.89]	37 [11.28]
5 Ton	3/8" [9.53]	3/8" [9.52]*	25 [7.62]	33 [10.06]	24 [7.32]	14 [4.27]	N/A	N/A
		1/2" [12.70]	25 [7.62]	49 [14.94]	47 [14.33]	45 [13.72]	43 [13.11]	41 [12.50]

NOTES: *Standard line size
 N/A = Application not recommended.

Suction Line Length/Size versus Capacity Multiplier (R-410A)										
Unit Size		1 1/2 Ton	2 Ton	2 1/2 Ton	3 Ton	3 1/2 Ton	4 Ton	5 Ton		
Suction Line Connection Size		3/4" [19.05] I.D.				7/8" [22.23] I.D.				
Suction Line Run—Feet [m]		5/8" [15.88 mm] O.D. Opt. 3/4" [19.05 mm] O.D. Std.*		5/8" [15.88 mm] O.D. Opt. 3/4" [19.05 mm] O.D. Std.* 7/8" [22.23 mm] O.D. Opt.	3/4" [19.05 mm] O.D. Std.* 7/8" [22.23 mm] O.D. Opt.	7/8" [22.23 mm] O.D. Std.* 3/4" [19.05 mm] O.D. Opt.		7/8" [22.23 mm] O.D. Std.* 1 1/8" [28.58 mm] O.D. Opt.		
25' [7.62]	Optional Standard Optional	1.00 1.00 —	1.00 1.00 —	1.00 1.00 1.00	1.00 1.00 —	1.00 1.00 —	1.00 1.00 —	1.00 1.00 —	1.00 1.00 —	
50' [15.24]	Optional Standard Optional	0.98 0.99 —	0.98 0.99 —	0.96 0.98 0.99	0.98 0.99 —	0.99 0.99 —	0.99 0.99 —	0.99 0.99 —	0.99 0.99 —	
100' [30.48]	Optional Standard Optional	0.95 0.96 —	0.95 0.96 —	0.94 0.96 0.97	0.96 0.97 —	0.96 0.98 —	0.96 0.98 —	0.96 0.98 —	0.97 0.98 —	
150' [45.72]	Optional Standard Optional	0.92 0.93 —	0.92 0.94 —	0.91 0.93 0.95	0.94 0.95 —	0.94 0.96 —	0.95 0.96 —	0.95 0.96 —	0.94 0.97 —	

NOTES: *Standard line size
 N/A = Using suction line larger than shown in chart will result in poor oil return and is not recommended.

[] Designates Metric Conversions

GENERAL TERMS OF LIMITED WARRANTY*

Rheem will furnish a replacement for any part of this product which fails in normal use and service within the applicable period stated, in accordance with the terms of the limited warranty.

***For complete details of the Limited and Conditional Warranties, including applicable terms and conditions, contact your local contractor or the Manufacturer for a copy of the product warranty certificate.**

Conditional Parts
(Registration Required)Ten (10) Years



The new degree of comfort.™

In keeping with its policy of continuous progress and product improvement, Rheem reserves the right to make changes without notice.

Rheem Heating, Cooling & Water Heating • P.O. Box 17010
Fort Smith, Arkansas 72917 • www.rheem.com

Rheem Canada Ltd./Ltée • 125 Edgeware Road, Unit 1
Brampton, Ontario • L6Y 0P5



INTEGRATED HOME COMFORT

PRINTED IN U.S.A 08/13 QG FORM NO. P11-802 REV. 1